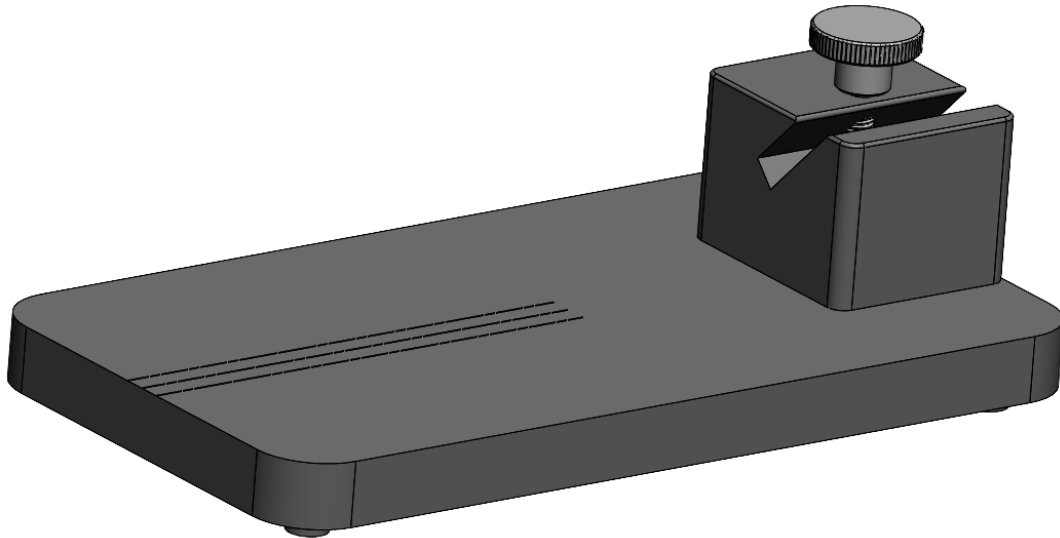


## MPM-Probe Mount-NP Alignment Fixture Item # 07608-3-0000

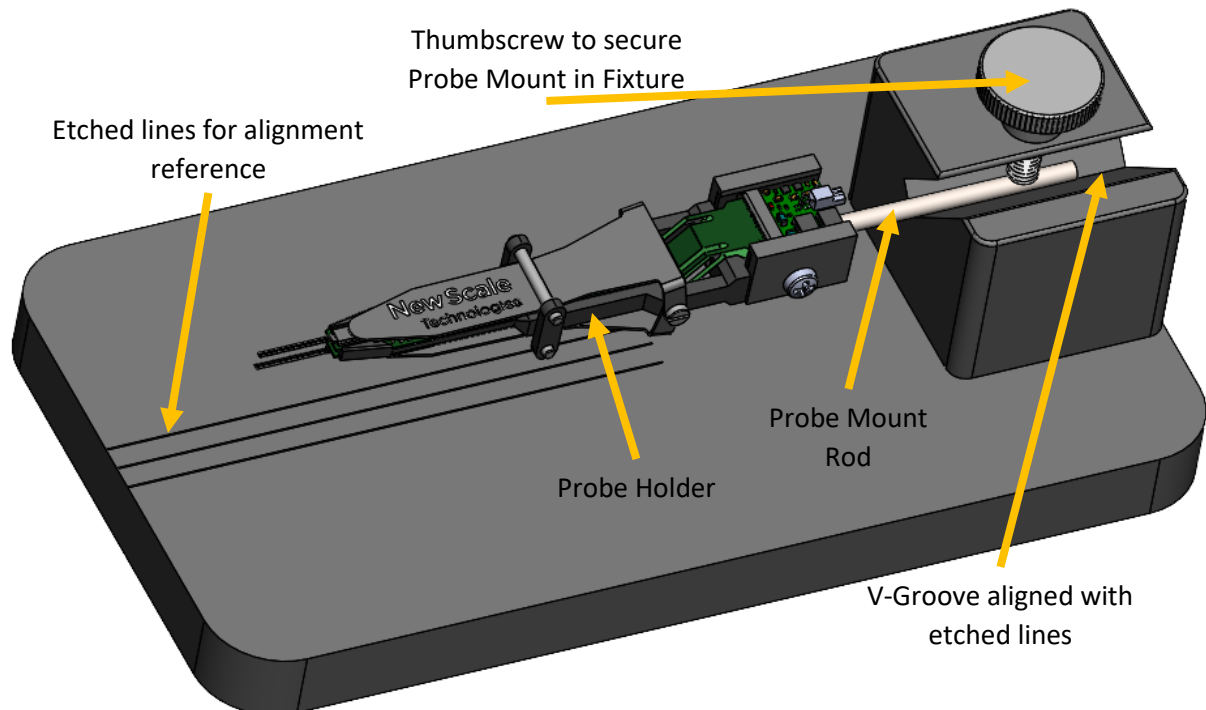
Description: A fixture to aid installing probes in a 07480-3-0000 MPM-Probe Mount-NP and checking the alignment of the probes' shanks to the axis of insertion.

### MPM-Probe Mount-NP Alignment Fixture



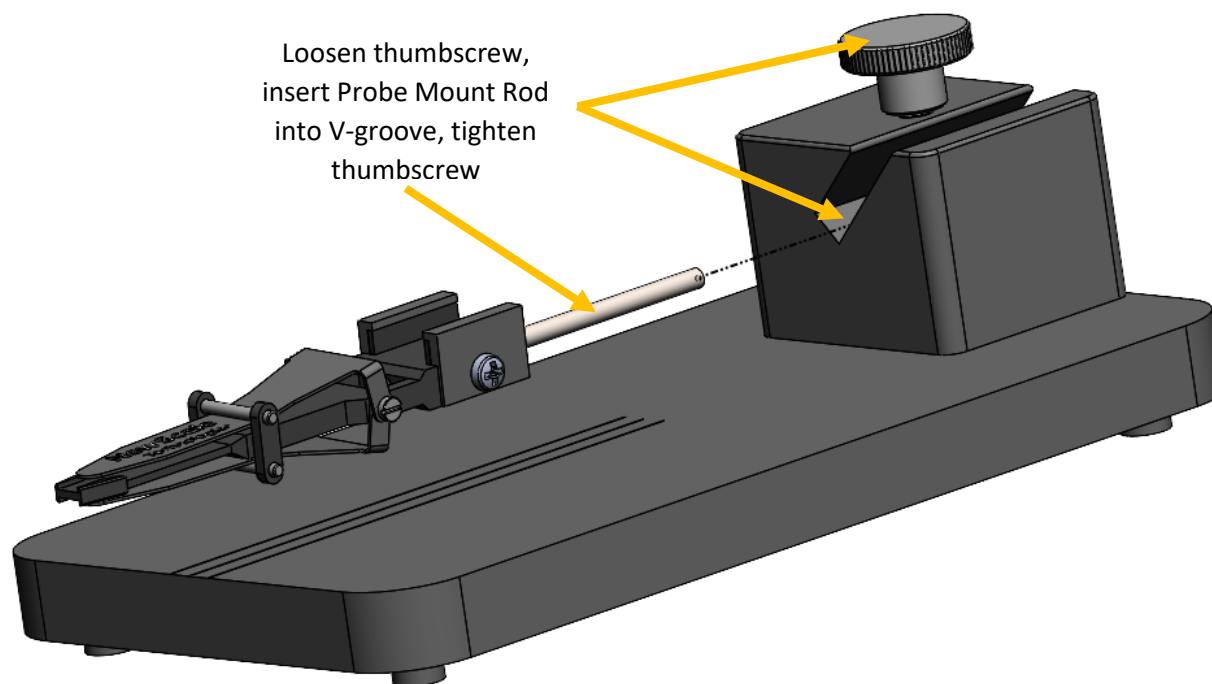
### MPM-Probe Mount-NP Alignment Fixture

Shown holding MPM-Probe Mount-NP (probe mount not included)



## Install MPM-Probe Mount-NP into Alignment Fixture

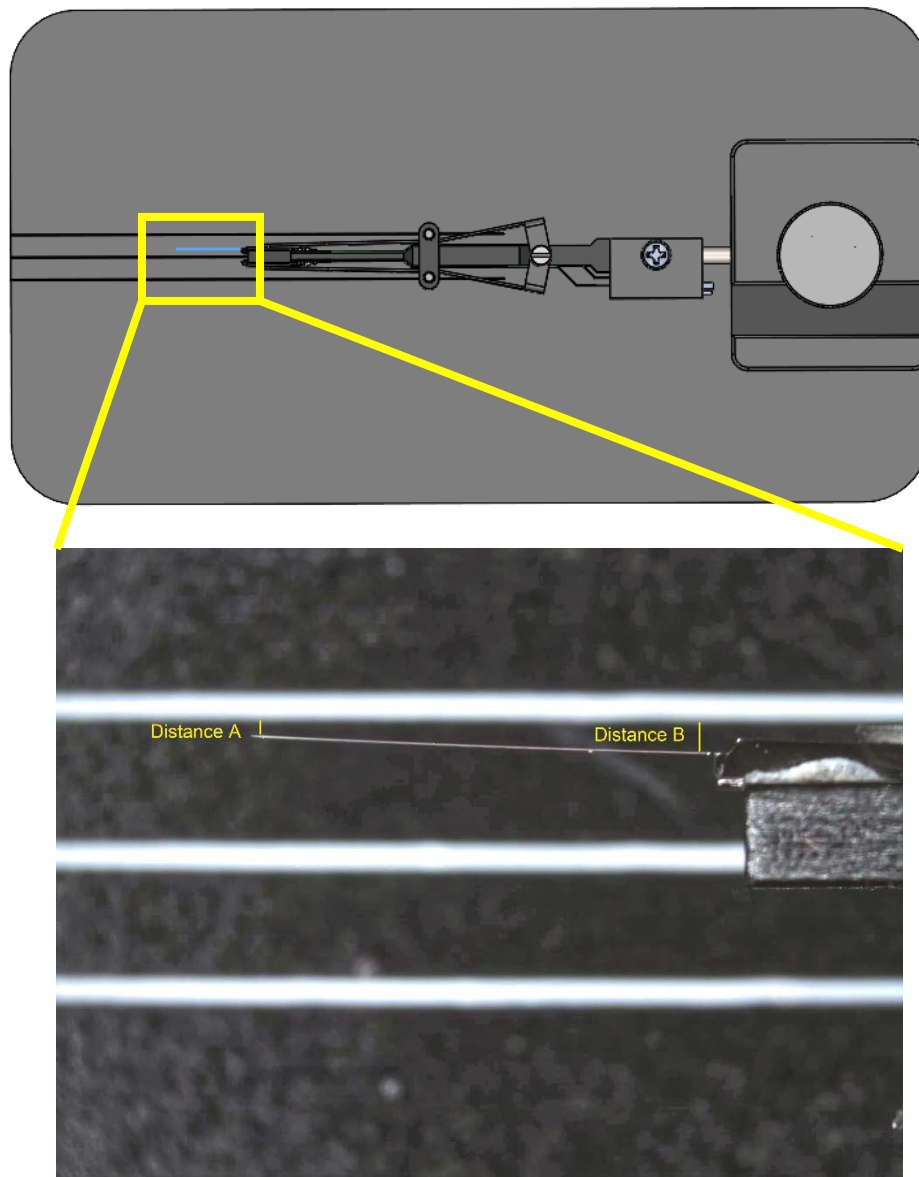
Install MPM-Probe Mount-NP into the Alignment Fixture by loosening the thumbscrew and inserting the Probe Mount Rod into the V-groove, then tighten the thumbscrew to secure the probe mount in place.



Once installed, the thumbscrew can be loosened and the probe mount can be rotated 360° to enable installation of one Neuropixels 1.0 probe, or up to two Neuropixels 2.0 probes, and to check the alignment of the probes' shanks with respect to the axis of insertion. See 07480-M-0000 MPM-Probe Mount-NP Manual for more information about installing up to (2) probes and a headstage into the probe mount.

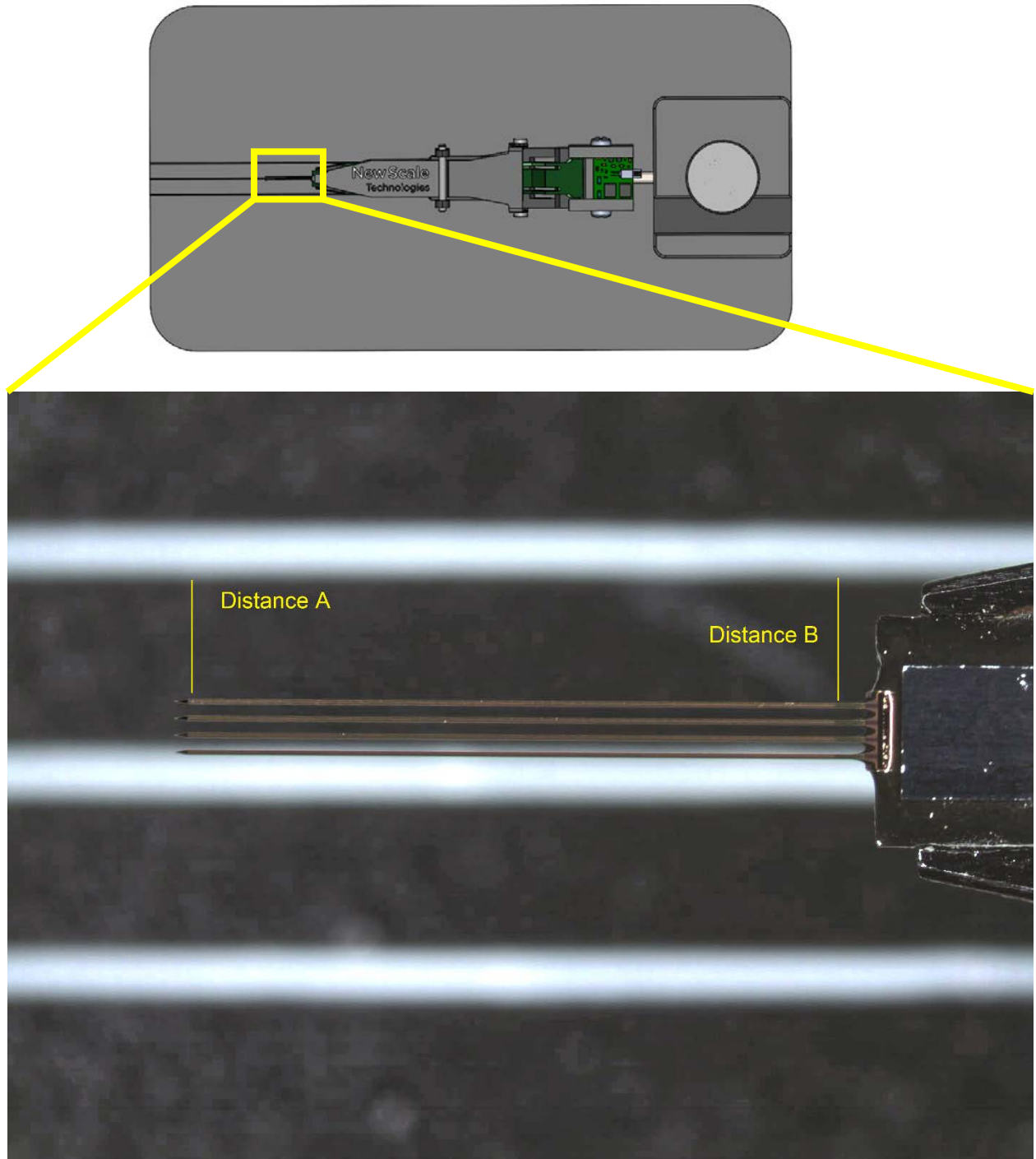
## Check alignment of probe shanks

When the probes are installed in the MPM-Probe Mount-NP, use a microscope and compare the shanks with the etched reference lines to verify the shanks are aligned with the axis of insertion.



Align the shanks so that Distance A is about equal to Distance B, adjust as necessary. If needed, use shimming material (for example, Kapton Tape ~24 micron thick) between the probe PCB and the Probe Holder to adjust alignment.

## Check alignment of probe shanks (continued)



Align the shanks so that Distance A is about equal to Distance B, adjust as necessary. If needed, apply a small amount of adhesive between the probe PCB and the Probe Holder to secure the probe in place once aligned.

For questions and support, please contact:

New Scale Technologies  
121 Victor Heights Parkway  
Victor, NY 14564

Phone: 585-924-4450

Online: [www.newscaletech.com](http://www.newscaletech.com)

#### Revision History

<b>Revision</b>	<b>Description of changes</b>	<b>Release Date</b>
A	Initial Release	Oct 29, 2021
B	Remove 2A from the documentation	Aug 18, 2022