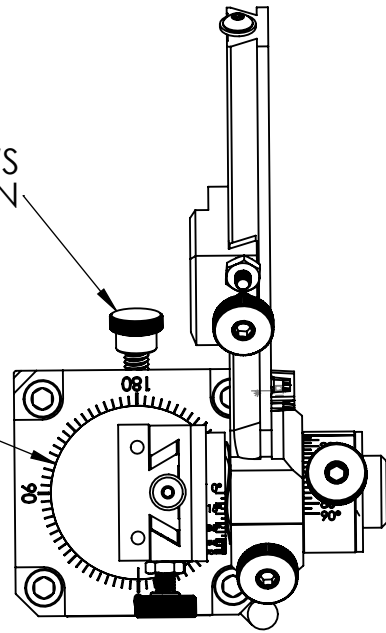


MPM 4 Degree of Freedom Arm-Upright-Magnetic Specifications	
Minimum approach angle from vertical	$\leq 12$ Deg.
Maximum approach angle from vertical	$\geq 90$ Deg.
Horizontal Slide travel	85 mm
Vertical Slide travel	85 mm
Magnetic Base footprint	65 mm x 65 mm

REVISIONS				
REV.	DESCRIPTION	DATE	APPR'D	Change #
A	Initial Release	8/17/2020	AS	462
B	Bump to Rev B to match assembly drawing, no other changes to this document	8/18/2021	AS	472

(2 x) THUMBSCREWS TO LOCK ROTATION

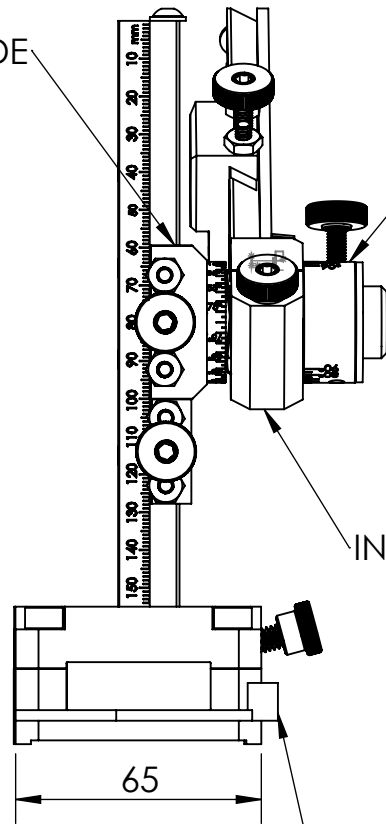
360° ROTATING ADAPTER



VERTICAL SLIDE

LOCKING ANGULAR STOP

INSERTION ANGLE ADJUSTMENT



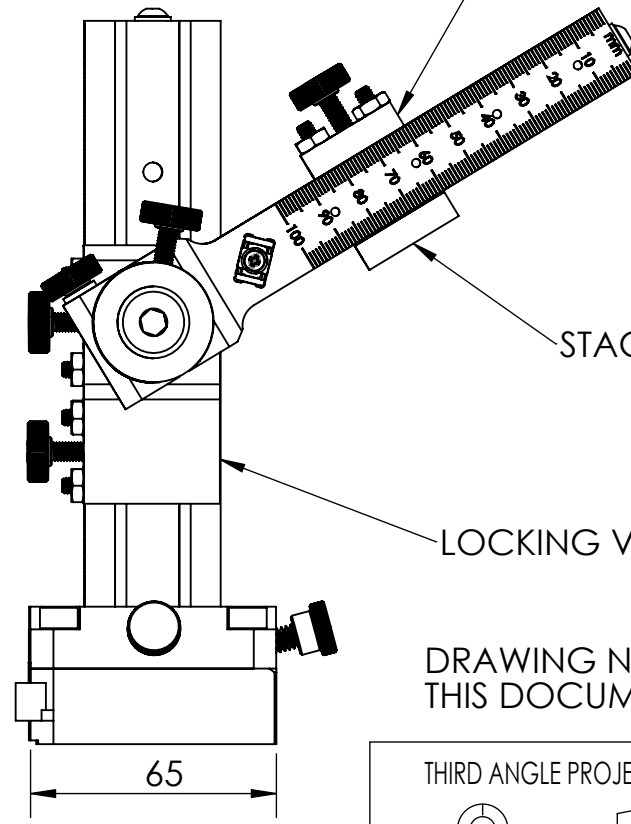
MAGNETIC BASE WITH ON/OFF SWITCH TO ENGAGE MAGNET

65

HORIZONTAL SLIDE

STAGE MOUNT

LOCKING VERTICAL STOP



65

DRAWING NOTES:  
THIS DOCUMENT CONTAINS THE PRODUCT SPECIFICATION FOR NST ITEM NUMBER 07330-3-0000

THIRD ANGLE PROJECTION 	DRAWN: AS DATE: 11/13/19		
Compliant to RoHS Directive 2002/95/EC	CHECKED: MD ENG: QX		
ALL UNITS mm DO NOT SCALE DRAWING	MFG: JA MARKETING: HQ	A3 SCALE: 1:2	PART NO: <b>07330-8-0000</b> REV B SHEET 1 OF 1

THESE DRAWINGS AND SPECIFICATIONS ARE THE EXCLUSIVE PROPERTY OF NEW SCALE TECHNOLOGIES, INC.