

4

3

2

1

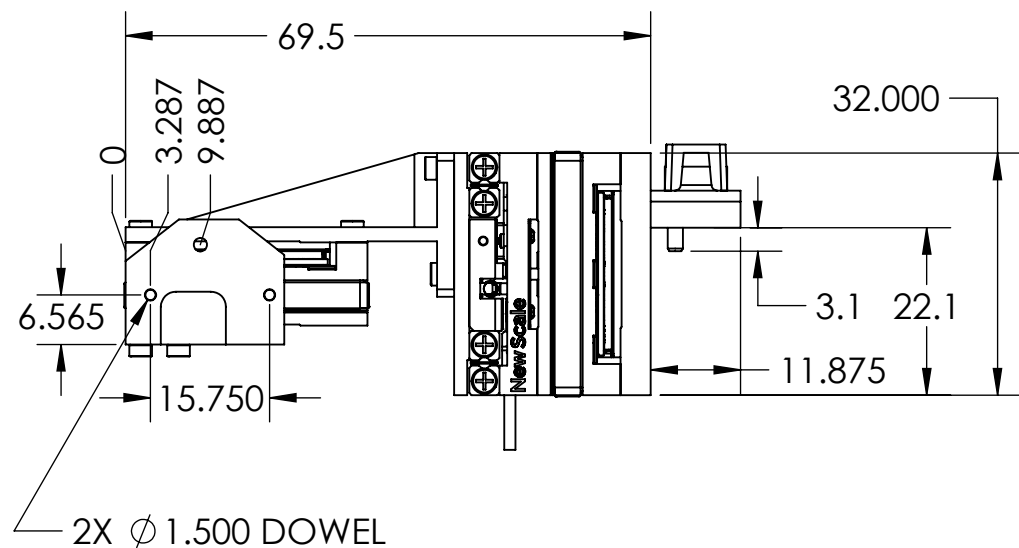
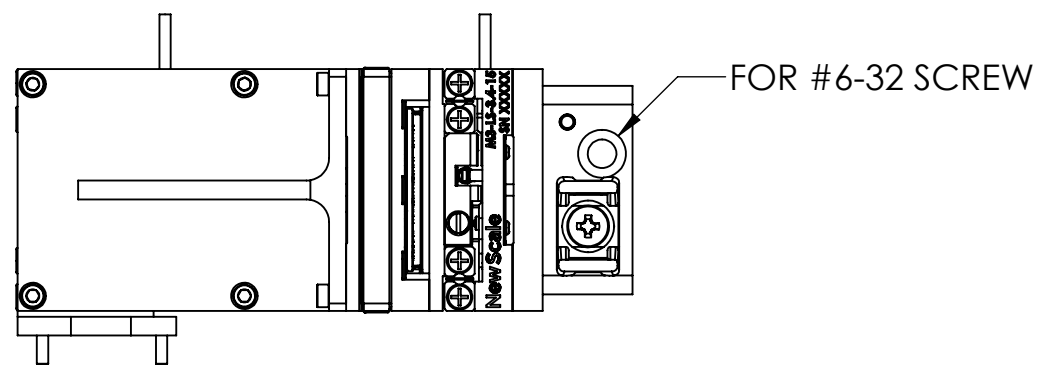
INVERTED ORIENTATION SHOWN

SEE: 06224-8-0000 OPERATING/PERFORMANCE SPECIFICATIONS OF M3-LS-3.4-15 STAGES

SEE 06560-8-0000 M3-USB-3:1 FOR ELECTRICAL CHARACTERISTICS

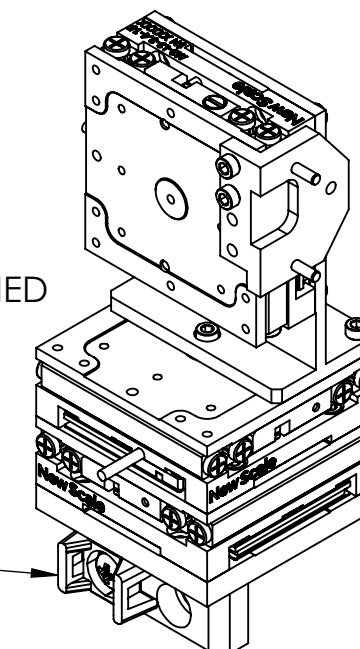
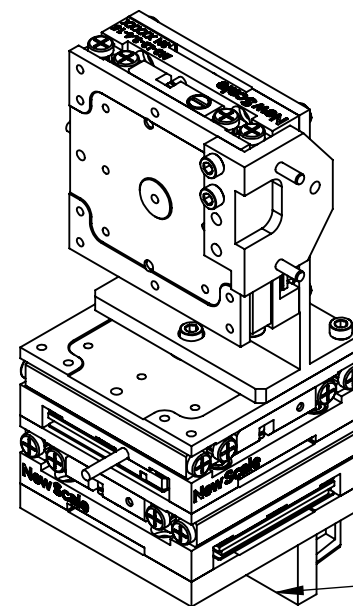
REVISIONS				
REV.	DESCRIPTION	DATE	APPR'D	Change #
A	Release to Production	4/26/2018	EW	409

M3-LS-3.4-15-XYZ MPM MODULE SPECIFICATIONS	
NST ITEM #	06464-3-000X
TRAVEL RANGE	15 x 15 x 15 mm
HOUSING DIMENSIONS WITHIN	32 x 32 x 69.5 mm
MASS	
MAX MOVING MASS (VERTICAL)	100 grams
MAX MOVING MASS (HORIZONTAL)	200 grams
MECHANICAL STAGE	
MAX APPLIED MOMENT	
STIFFNESS	
ABSOLUTE MAXIMUM LOAD	10 N

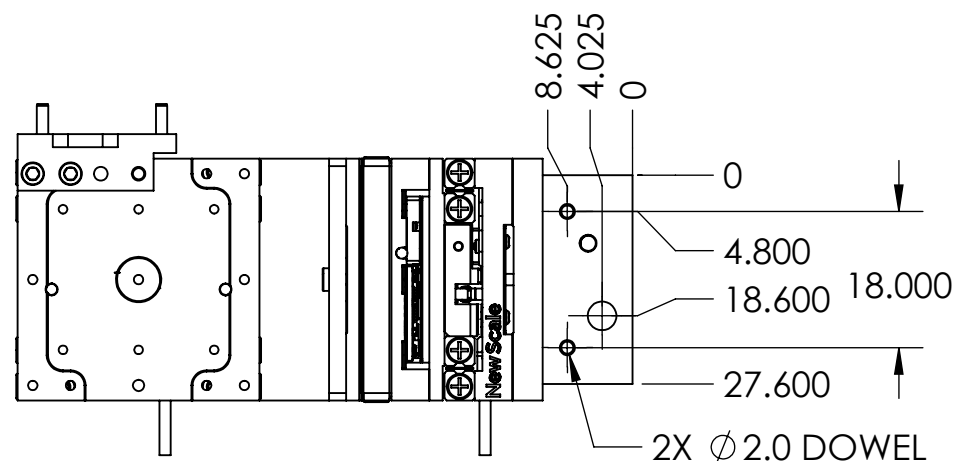


06464-3-0000, INVERTED

06464-3-0001, UPRIGHT



MOUNT ROTATION DETERMINED BY SYSTEM ORIENTATION



DRAWING NOTES:
THIS DOCUMENT CONTAINS THE PRODUCT SPECIFICATION FOR NST ITEM NUMBER 06464-3-000X

THIRD ANGLE PROJECTION 	DRAWN: EW		
	DATE: 2/27/2018		
Compliant to RoHS Directive 2002/95/EC	CHECKED: RLC	PRODUCT: M3-LS-3.4-15	
	ENG: AS	DESCRIPTION: M3-LS-3.4-15-XYZ-MPM	
ALL UNITS mm DO NOT SCALE DRAWING	MFG: BD/JA	A3	PART NO: 06464-8-000X
	MARKETING: DH	SCALE: 1:1	REV A
			SHEET 1 OF 1

THESE DRAWINGS AND SPECIFICATIONS ARE THE EXCLUSIVE PROPERTY OF NEW SCALE TECHNOLOGIES, INC.

4

3

2

1