

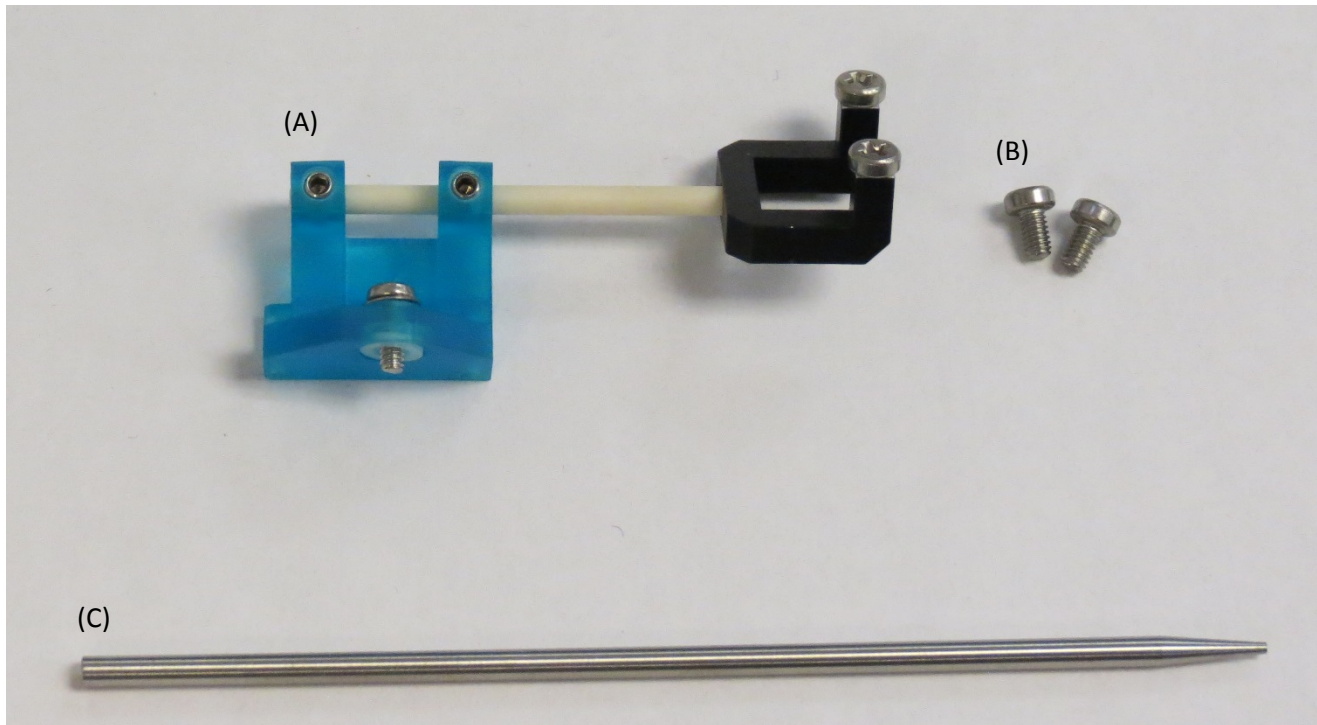
MPM-Probe Mount-4

Item # 06264-3-0004

Description: A hardware kit that mounts a NeuroNexus 32 channel probe with Neuralynx HS-36 Headstage and adapter (not provided) to the Z-axis stage of a New Scale M3-LS-3.4-XYZ-MPM assembly, for use with a Multi-Probe Micromanipulator 4 Degree of Freedom Arm (MPM-4 DOF Arm-Upright and/or MPM-4 DOF Arm-Inverted).

MPM-Probe Mount-4

(A) Probe Mount 4, (B) spare screws and (C) steel reference probe

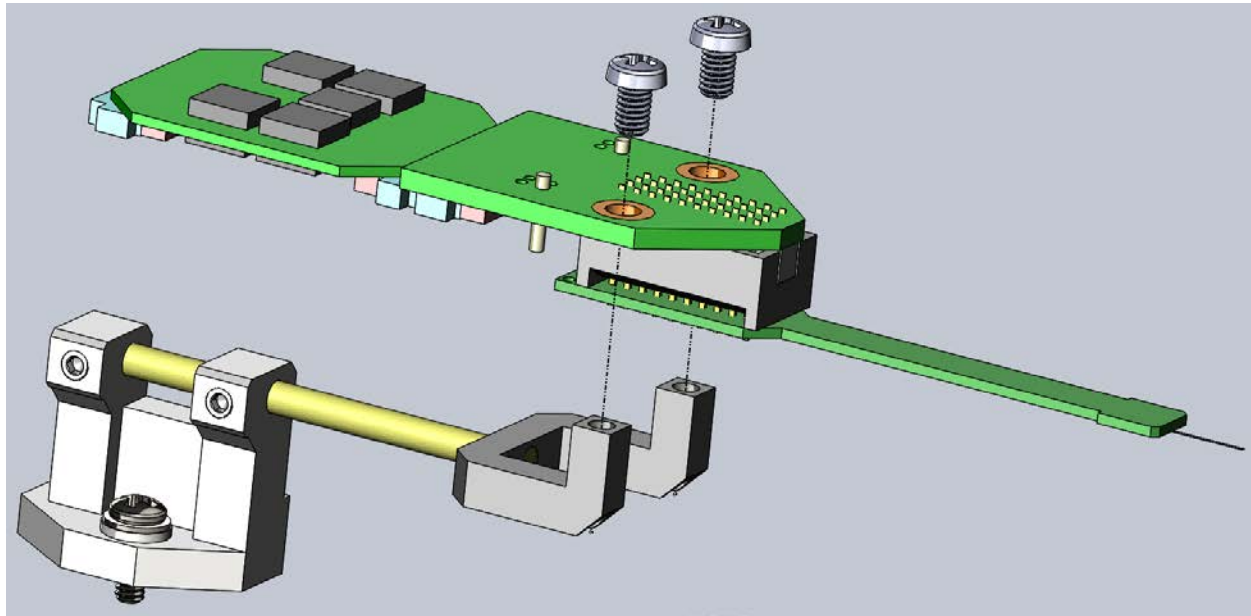


NOTE: Actual probe mount may differ from color/material shown.

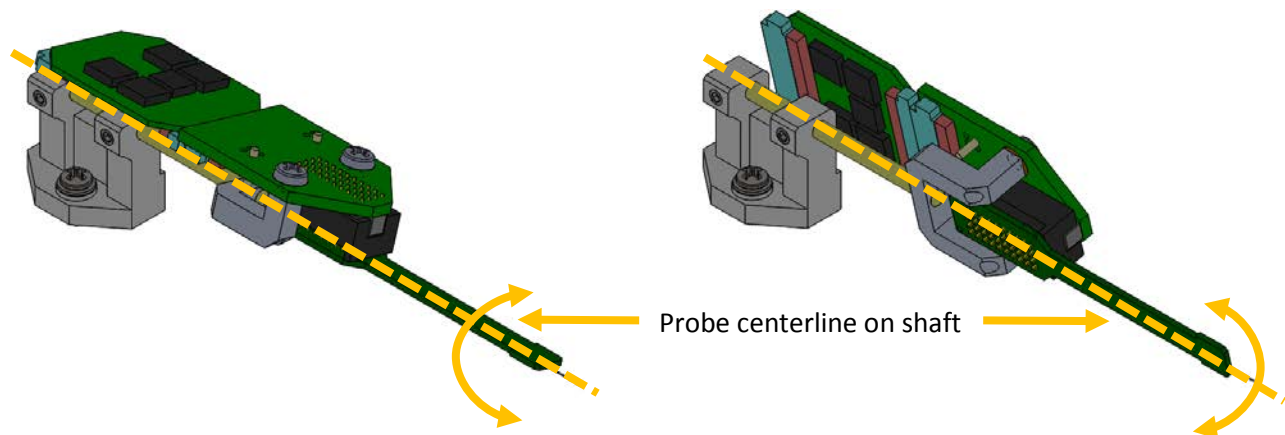
Install a probe onto MPM-Probe Mount-4

Install a NeuroNexus 32 channel probe with Neuralynx HS-36 Headstage and adapter (not provided) onto the probe mount using the screws included with the probe mount and the screwdriver provided with an MPM-System Kit, as shown.

(shown with recommended probe orientation)

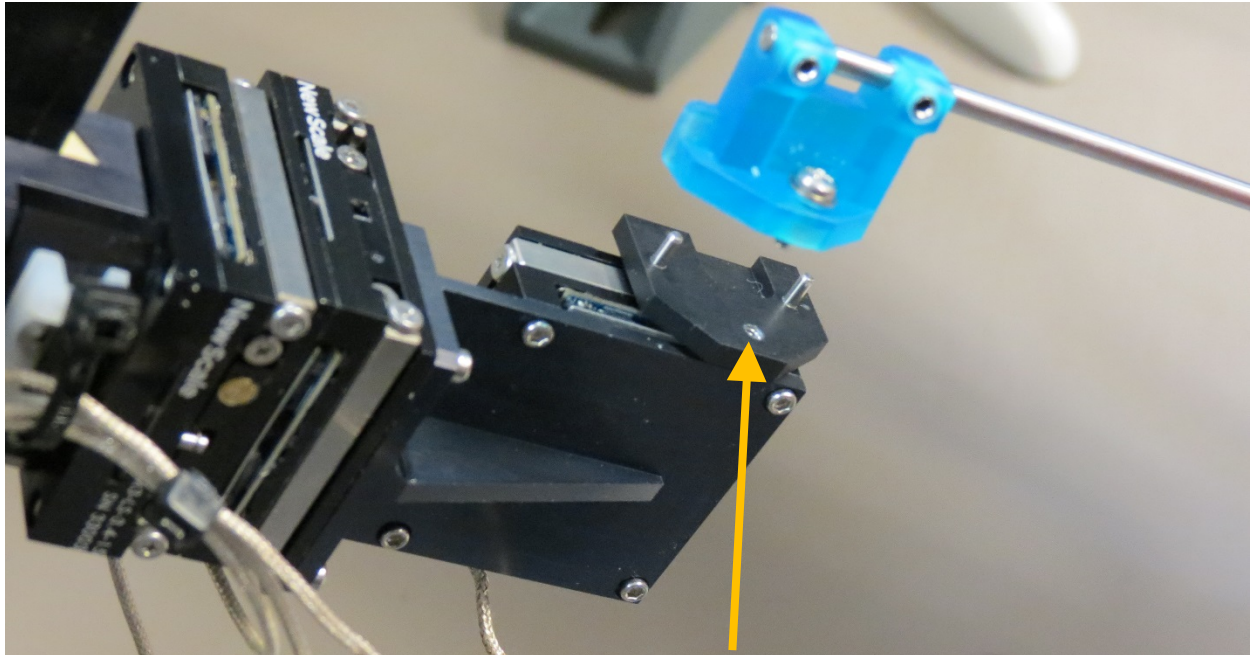


MPM-Probe Mount-4 was designed to keep the probe centerline concentric with the probe mount shaft centerline when the probe is oriented as shown. This allows the probe to be rotated for more options within the desired workspace.

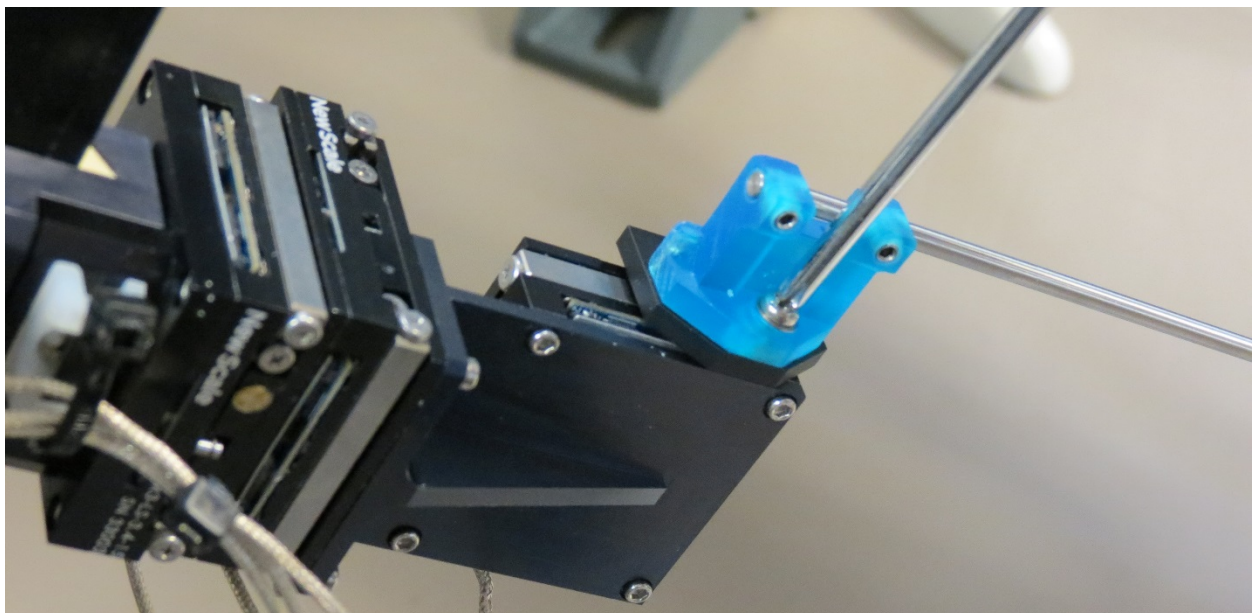


Install MPM-Probe Mount-4 onto M3-LS-3.4-XYZ-MPM assembly

Use the captive screw and screwdriver to mount the MPM-Probe Mount-4 to the mount bracket on the Z-axis stage of the M3-LS-3.4-XYZ-MPM assembly.



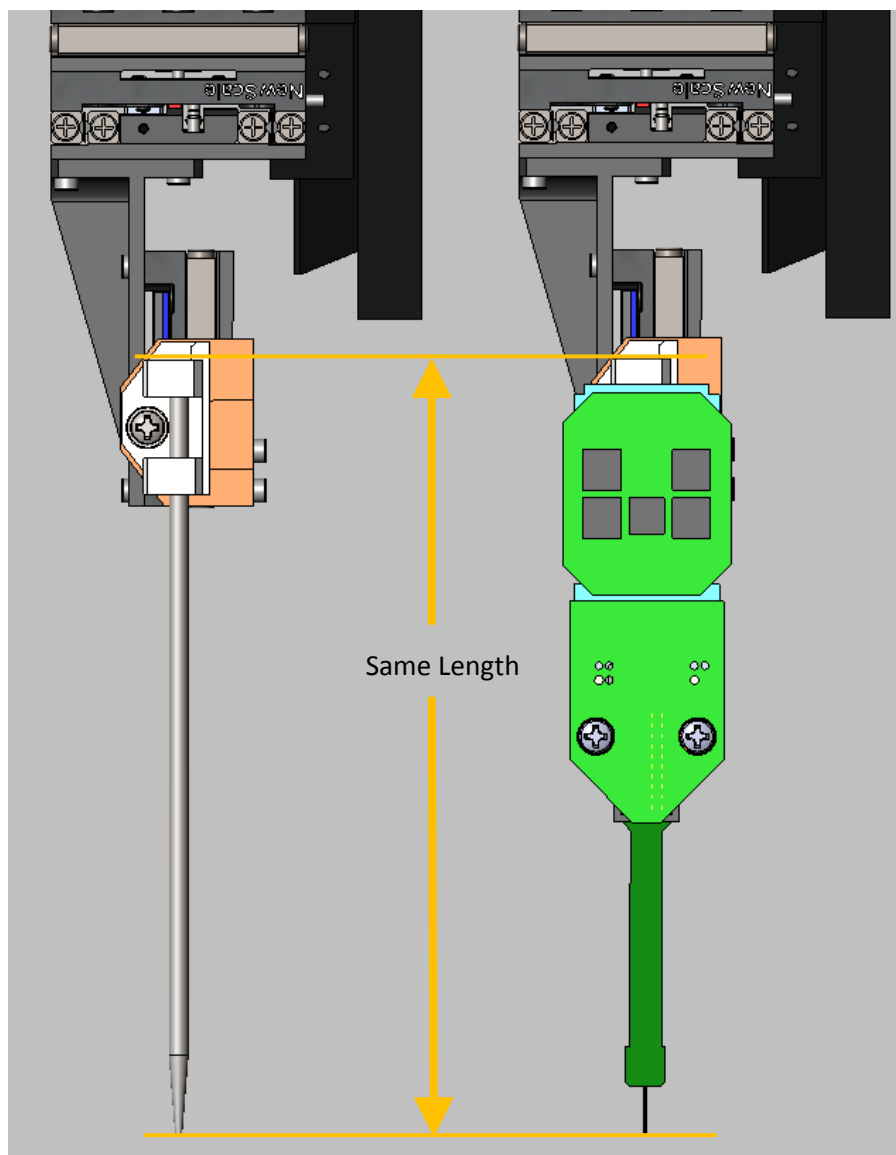
Tapped hole to mount Probe Mount onto
M3-LS-3.4-XYZ-MPM Assembly



Using the Reference Probe to Pre-Align the MPM-4 DOF Arm

A steel reference probe is provided to allow pre-alignment of the MPM-4 DOF Arm without risking damage to the probe. To make the best use of the steel reference probe, the distance from the base to the tip of the probe should be known and constant. The steel reference probe is used as follows:

1. Remove the ceramic rod from the base and replace it with the steel reference probe as shown.
2. Adjust the steel reference probe to the same length as the NeuroNexus probe as shown.
3. With the Arm in the down position, complete pre-alignment of the MPM-4 DOF Arm's vertical, horizontal and insertion angle adjustments to place the steel reference probe tip at the correct insertion angle and starting location.
4. Move the Arm to the up position and replace the steel reference probe with the NeuroNexus probe.
5. Move the Arm to the down position and operate XYZ manipulator to place probe and begin recording.



For questions and support, please contact:

New Scale Technologies
121 Victor Heights Parkway
Victor, NY 14564

Phone: 585-924-4450

Online: www.newscaletech.com

Revision History

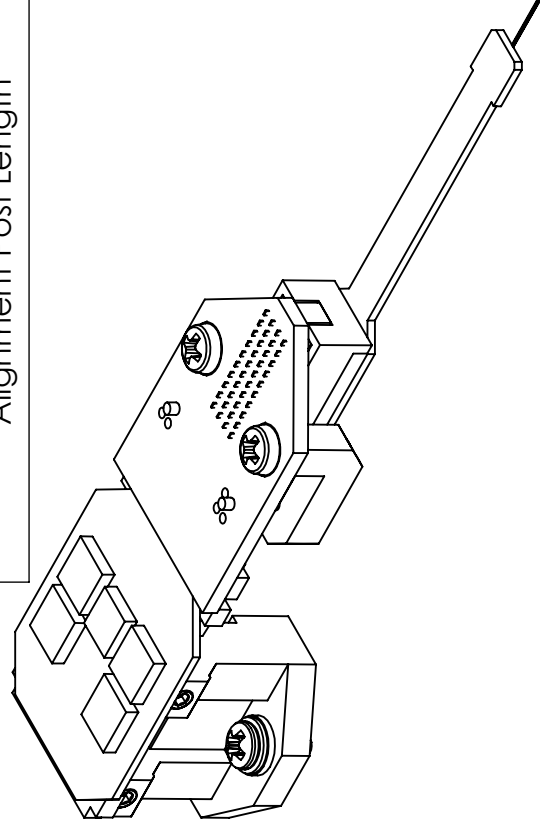
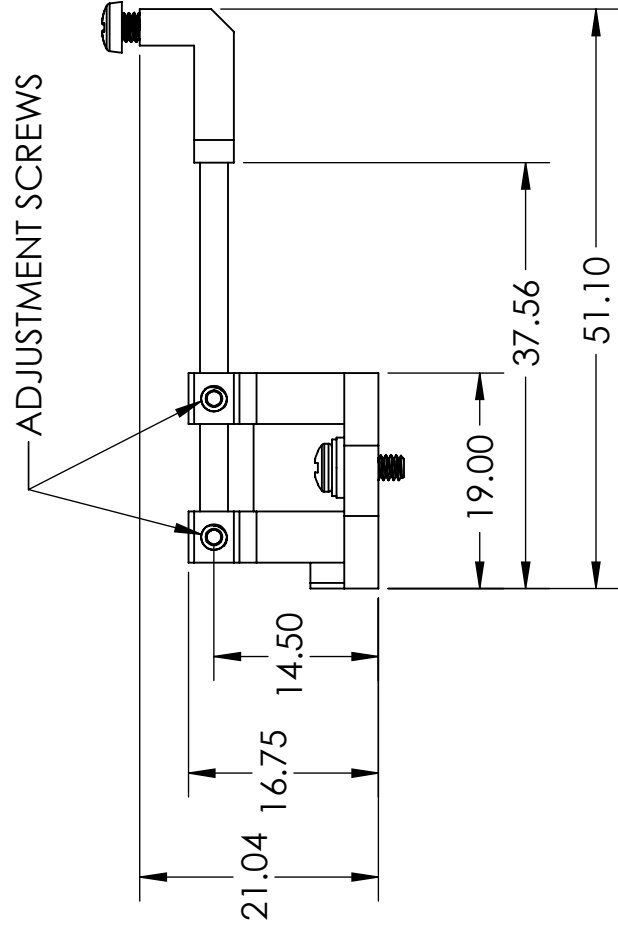
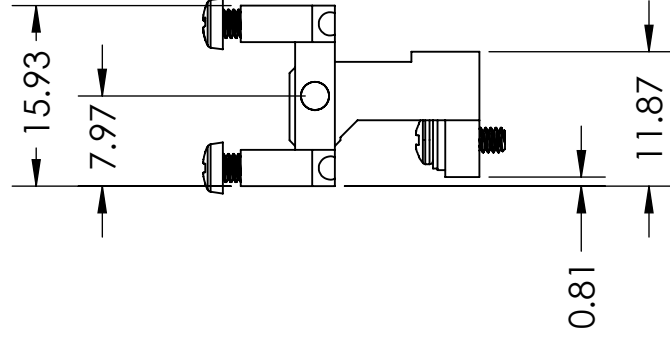
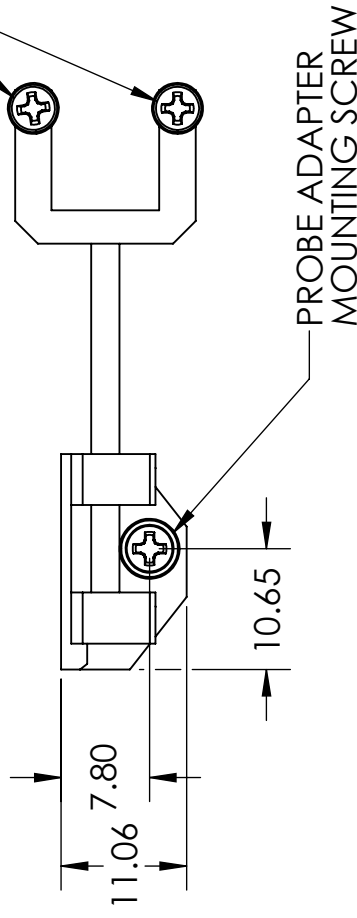
Revision	Description of changes	Release Date
A	Initial Release	April 10, 2019

REVISIONS				
REV.	DESCRIPTION	DATE	APPR'D	Change #
1	Initial Design			N/A
A	Release to Production Bump to Revision A, no other changes	4/4/2019	AS	434

Probe Adapter Specifications

NST Item #	06264-3-0004
Probe Mount Insertion/Removal	Single Mounting Point
Probe Tip Location	0.5 mm Min. 0.5 mm Max.
Orientation	Upright/Inverted
Weight (Probe Holder Only)	<= 7 grams
Total Weight with User Probe and Cabling	MAX 20 grams
Probe Rod Centered on Probe Tip	±0.25 mm
Alignment Post Position	±0.25 mm
Alignment Post Length	±0.5 mm

HEADSTAGE ADAPTER MOUNTING SCREWS (4 TOTAL, INCLUDES 2 SPARES)



NOTE: PROBE MOUNT IS DESIGNED FOR NEURALYNX HS-36 ADAPTER AND NEURONEXUS 32 CHANNEL PROBE IN THE ORIENTATION SHOWN. CONTACT NEW SCALE IF DIFFERENT ADAPTERS/PROBES ARE REQUIRED.



DRAWN: AS

DATE: 2/20/2018

CHECKED: MD

ENG: QX

MFG: JA

MARKETING: DH

UNLESS OTHERWISE SPECIFIED DIMENSIONS ARE IN MILLIMETERS TOLERANCES ARE:

- 1 PLACE ±.3
- 2 PLACES ±.13
- 3 PLACES ±.060
- ANGULAR ± 1°
- SURFACE FINISH 1.6 MICROMETERS

PART MUST BE BURR FREE

DO NOT SCALE DRAWING

THIRD ANGLE PROJECTION



MATERIAL:

FINISH:

THIS DOCUMENT CONTAINS THE PRODUCT SPECIFICATION FOR NST ITEM NUMBER 06264-3-0004

Compliant to RoHS Directive 2002/95/EC

THESE DRAWINGS AND SPECIFICATIONS ARE THE EXCLUSIVE PROPERTY OF NEW SCALE TECHNOLOGIES, INC. AND SHALL NOT BE USED FOR ANY PURPOSE EXCEPT THE MANUFACTURE OF GOODS FOR SAID COMPANY.

PRODUCT: MPM

DESCRIPTION: MPM-Probe Mount-4

A3

PART NO:

06264-8-0004

REV

A

SCALE: 1.5:1

SHEET 1 OF 1