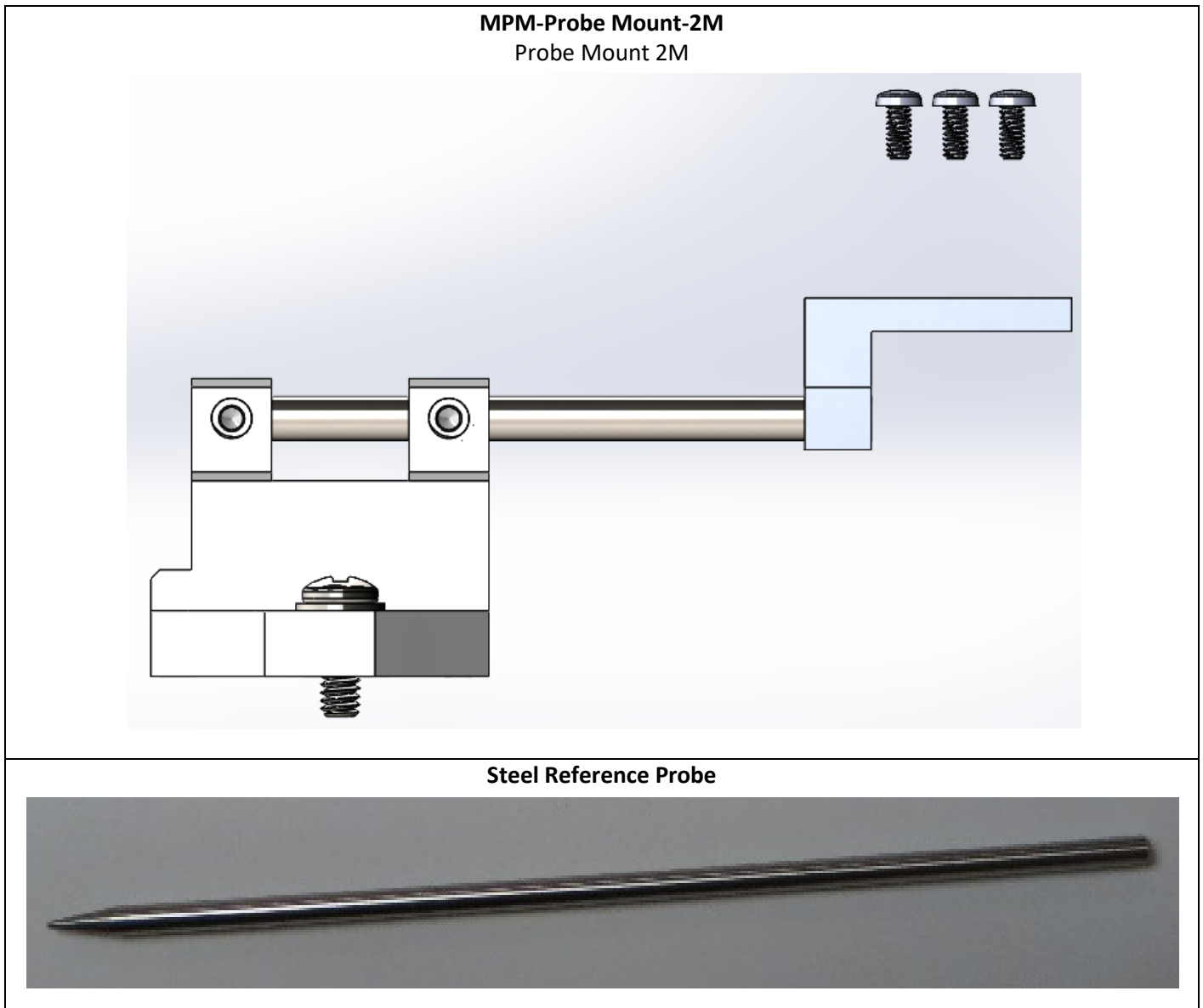


MPM-Probe Mount-2M

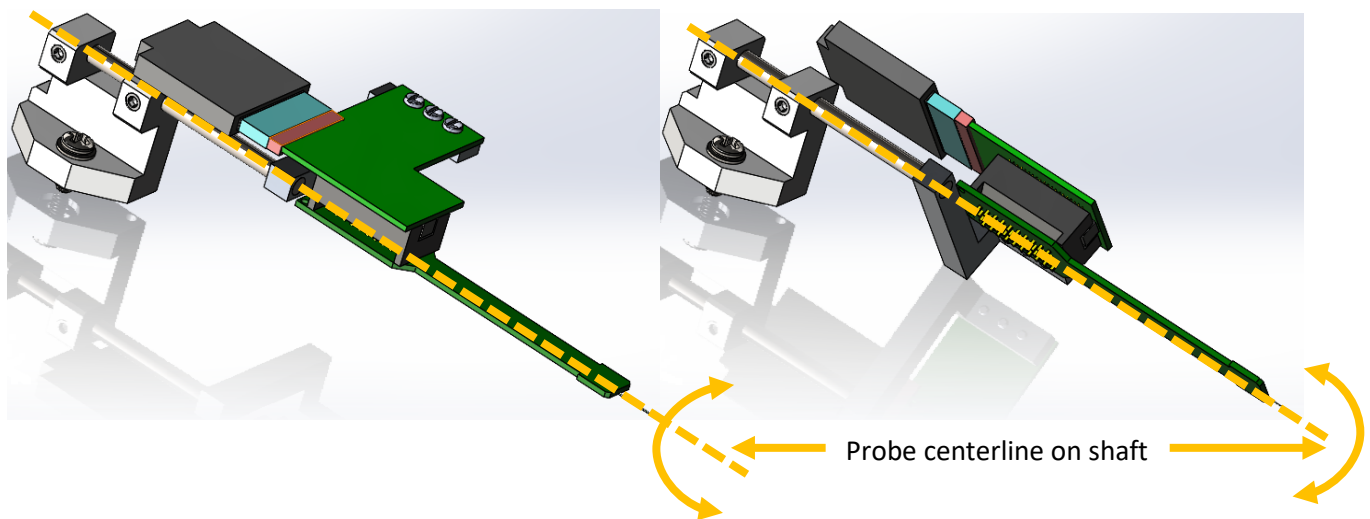
Item # 06264-3-0012

Description: A hardware kit that mounts a NeuroNexus A32-OM32 adapter and A32 probe (not provided) to the Z-axis stage of a New Scale M3-LS-3.4-15-XYZ-Upright and/or M3-LS-3.4-15-XYZ-Inverted, for use with a Multi-Probe Micromanipulator 4 Degree of Freedom Arm (MPM-4 DOF Arm-Upright and/or MPM-4 DOF Arm-Inverted).



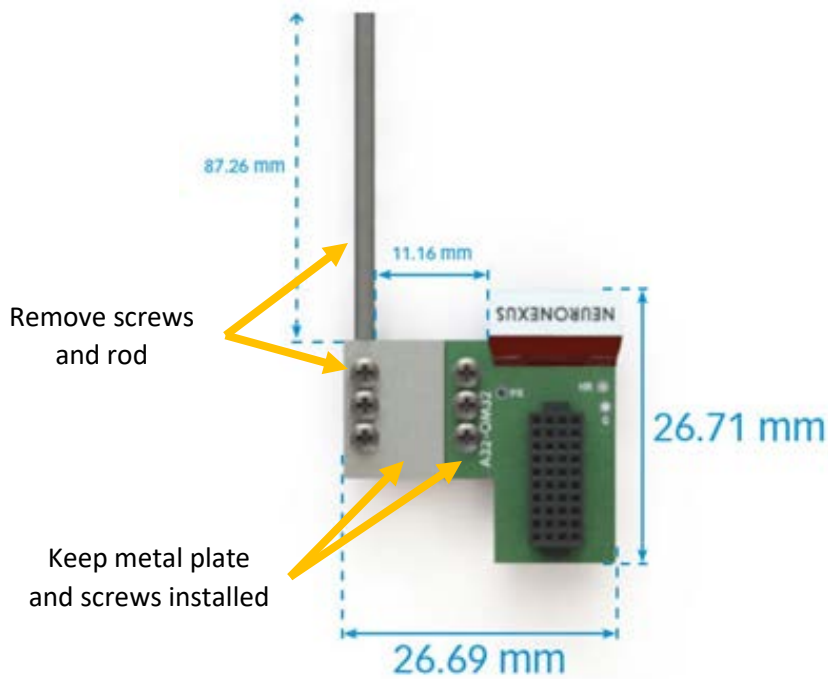
MPM-Probe Mount-2M continued...

The MPM-Probe Mount-2M was designed to keep the probe centerline concentric with the steel probe mounting rod centerline. This allows the probe to be rotated for more options within the desired workspace.

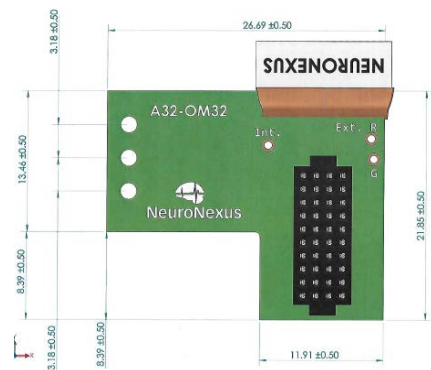


Install a probe onto MPM-Probe Mount-2M

Install a NeuroNexus Adpt.A32-Omnetics32 Adapter. This adapter is not included and must be purchased from NeuroNexus.

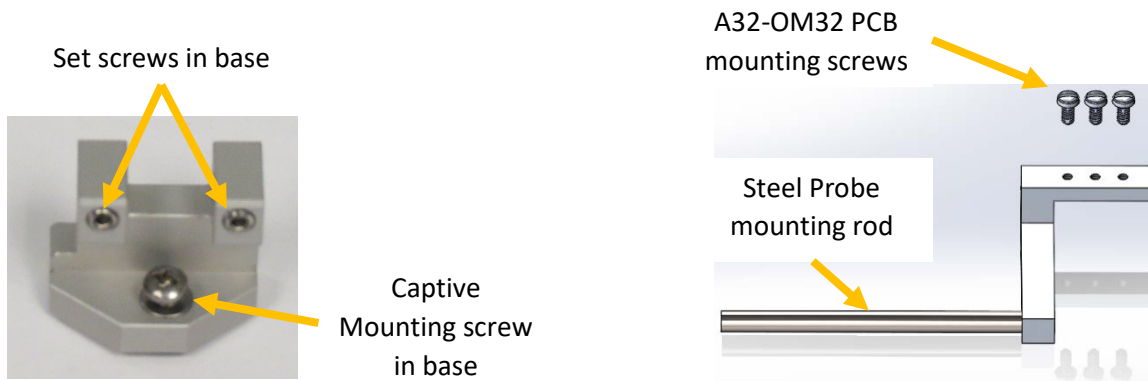


No additional hardware needed if using this version

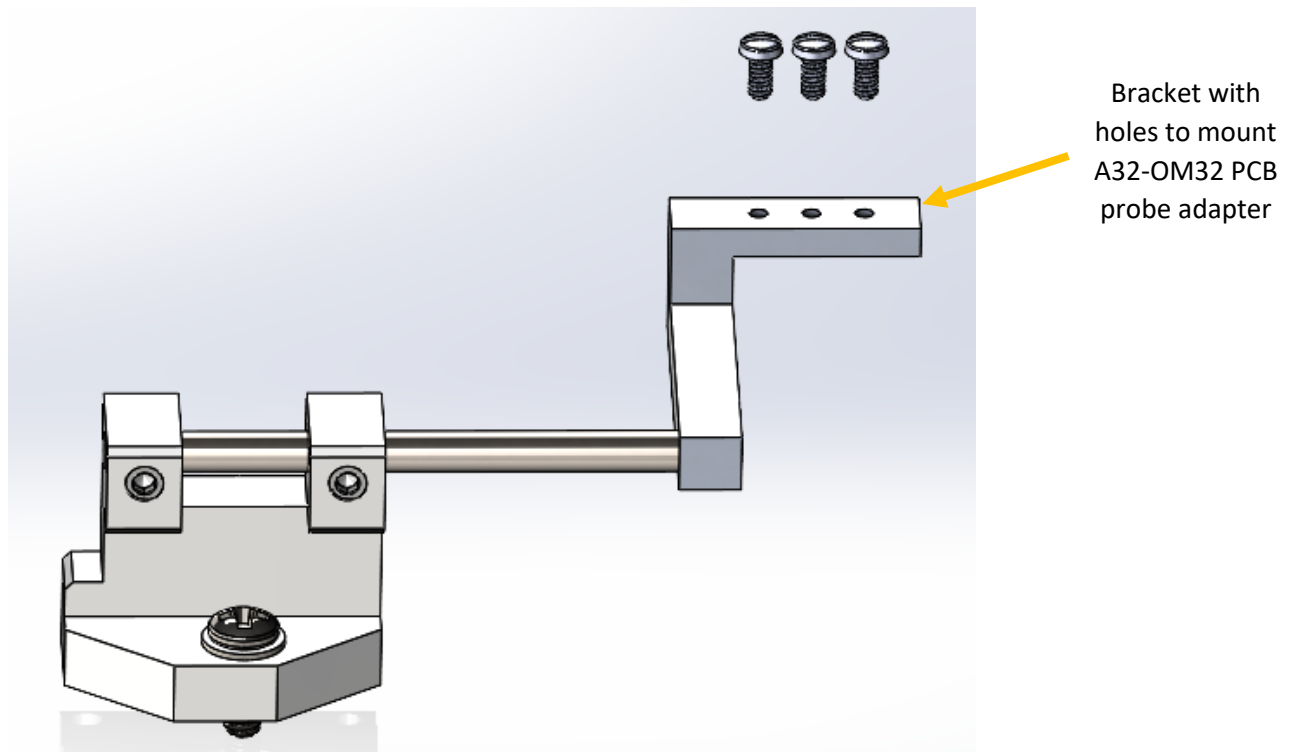


The NeuroNexus A32-OM32 adapter may have extra parts that are not used. Remove the screws and rod if installed, but keep the metal plate and screws in place.

Install a probe onto MPM-Probe Mount-2M continued...

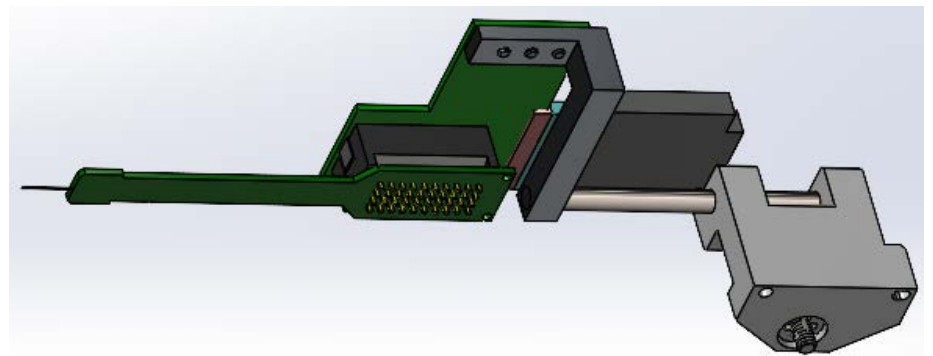
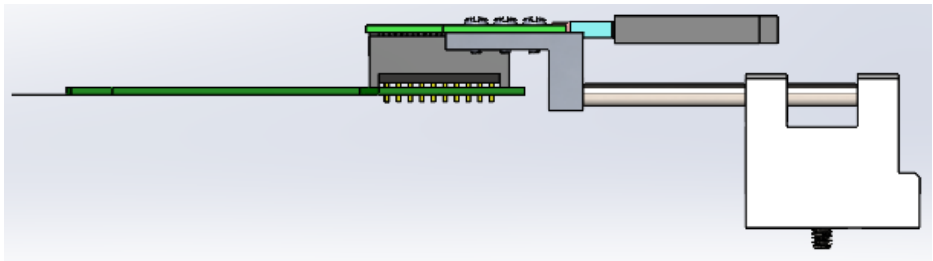
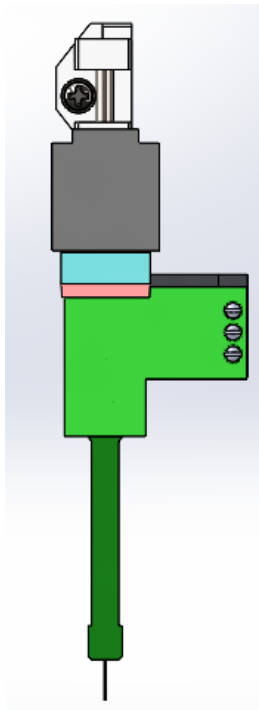
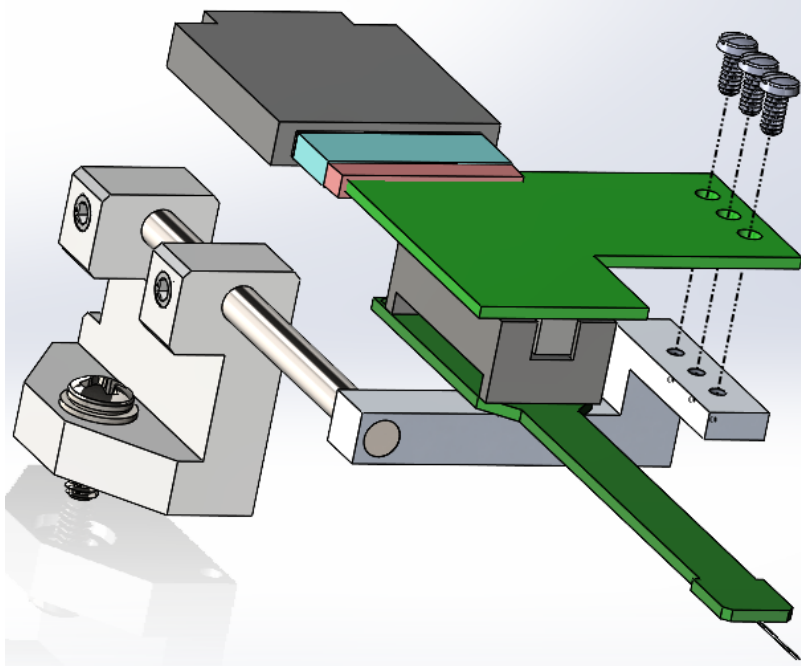


Place the steel probe mounting rod into the probe mount base in the orientation shown below and use the supplied hex wrench to tighten the set screws.



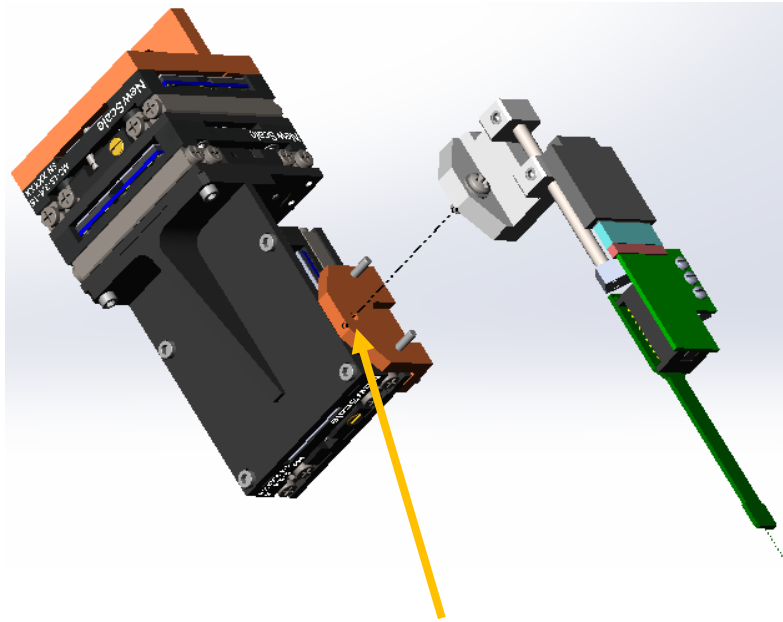
Install a probe onto MPM-Probe Mount-2M continued...

Assemble A32-OM32 PCB to aluminum mounting bracket using the three provided screws as shown below.

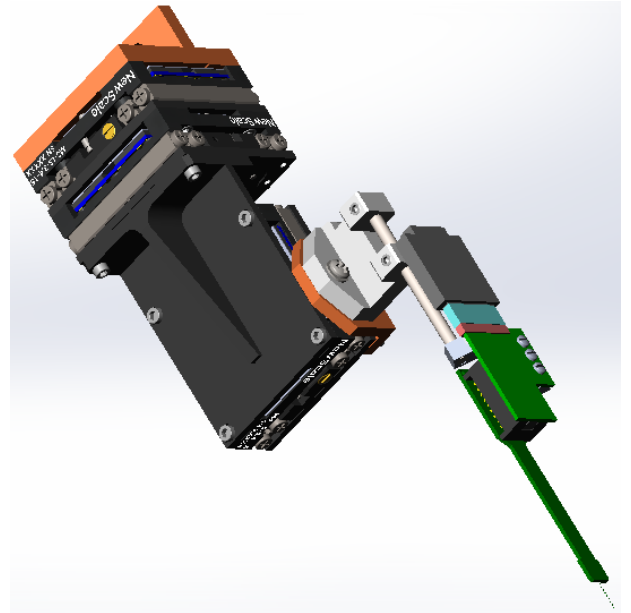


Install MPM-Probe Mount-2M onto Mount Plate

Use the included screw to mount the MPM-Probe Mount-2M to the Mount Plate installed on the Z-axis stage.



Hole to mount Probe Mount onto Mount Plate



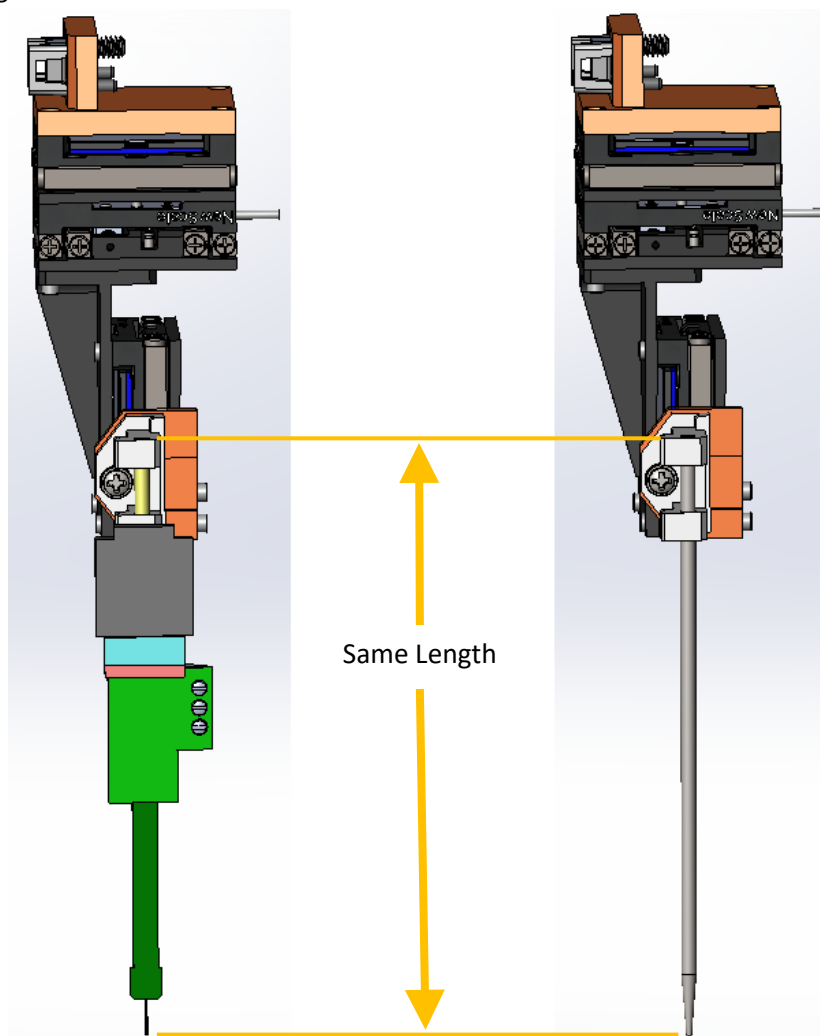
Using the Reference Probe to Pre-Align the MPM-4 DOF Arm

A steel reference probe is provided to allow pre-alignment of the MPM-4 DOF Arm without risking damage to the probe. To make the best use of the steel reference probe, the distance from the base to the tip of the probe should be known and constant. The steel reference probe is used as follows:

1. Remove the steel probe mounting rod from the base and replace it with the steel reference probe as shown.
2. Adjust the steel reference probe to the same length as the probe as shown.
3. With the Arm in the down position, complete pre-alignment of the MPM-4 DOF Arm's vertical, horizontal and insertion angle adjustments to place the steel reference probe tip at the correct insertion angle and starting location.

NOTE: Refer to the MPM Hardware Guide for more information about setting up and adjusting the MPM-4 DOF Arm.

4. Move the Arm to the up position and replace the steel reference probe with the NeuroNexus probe.
5. Move the Arm to the down position and operate XYZ manipulator to place probe and begin recording.



For questions and support, please contact:

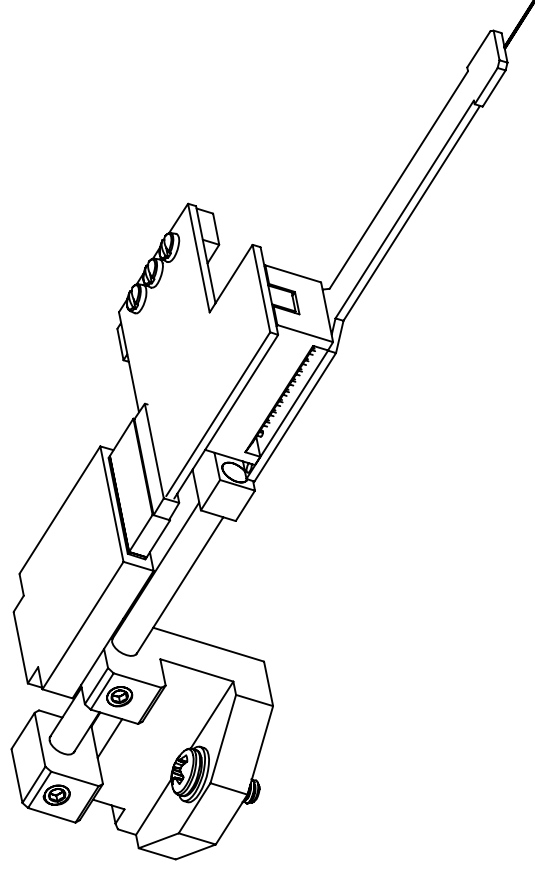
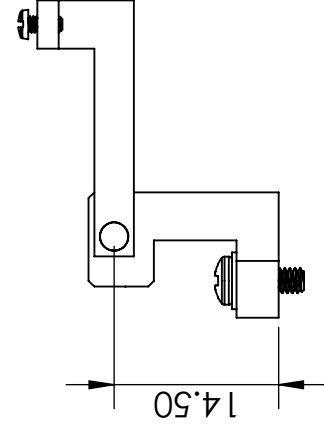
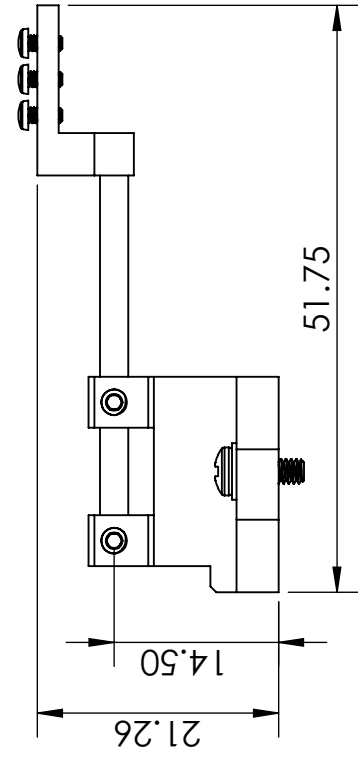
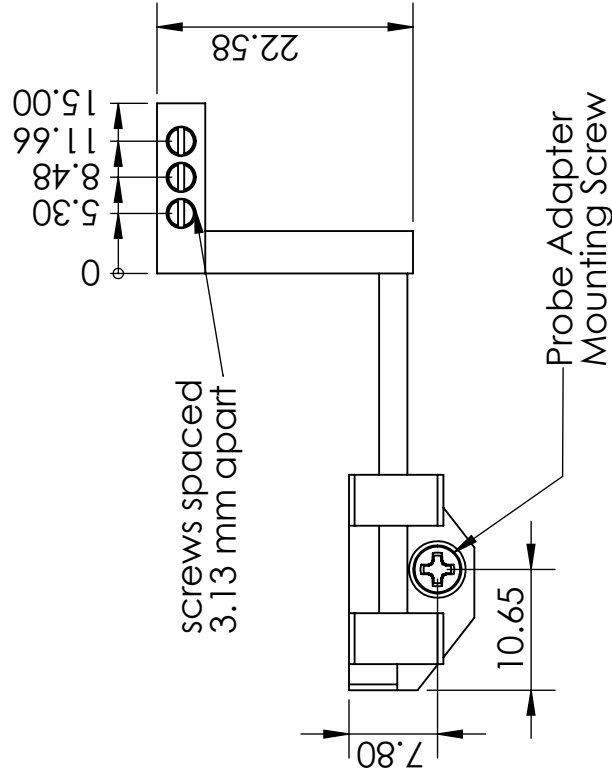
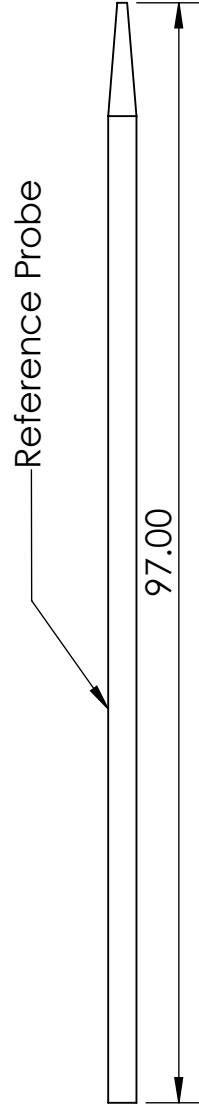
New Scale Technologies
121 Victor Heights Parkway
Victor, NY 14565

Phone: 585-924-4450

Online: www.newscaletech.com

Revision History

Revision	Description of changes	Release Date
1	Initial Draft	22 May 2020
A	Updated visuals and text to describe newly designed probe mount bracket that is compatible with old and new versions of A32-OM32 adapters.	27 August 2020



A

DRAWING NOTES:
THIS DOCUMENT CONTAINS THE PRODUCT SPECIFICATION FOR NST ITEM NUMBER 06264-3-0012

THIRD ANGLE PROJECTION	DRAWN: AS
	DATE: 4/15/2020
Compliant to RoHS Directive 2002/95/EC	CHECKED: MD
ALL UNITS mm	ENG: QX
DO NOT SCALE DRAWING	MFG: JA
	MARKETING: DH

PRODUCT: MPM	REV: A
DESCRIPTION: MPM-Probe Mount-2M	PART NO: 06264-8-0012
SCALE: 1.5:1	SHEET 1 OF 2

Probe Mount Specifications

Parameter	Specification
Probe Mount Insertion/Removal	Single Mounting Screw
Orientation	Upright / Inverted
Weight (Probe Mount Only)	< 7 grams
Weight (Probe Mount base with Reference Probe)	< 8 grams
Total Weight with User Probe and Cabling	MAX 20 grams

REVISIONS			
REV.	DESCRIPTION	DATE	APPR'D Change #
1	Rev1 initial draft	5/22/2020	AS N/A
2	Updated probe mount bracket for compatibility with new headstage adapter PCB design	8/19/2020	AS
A	Initial Release	8/24/2020	AS 474

B

NOTE: PROBE MOUNT IS DESIGNED FOR NEURONEXUS 32 CHANNEL PROBE WITH A32 ADAPTER AND PLEXON HEADSTAGE. CONTACT NEW SCALE TECHNOLOGIES IF DIFFERENT PROBES ARE REQUIRED.

4

3

2

1

B

B

ϕ 1.78 THRU ALL
 2-56 UNC THRU ALL
 Tapped Hole for
 Probe Adapter
 Mounting Screw

Mounting Requirements
 Adapter plate not included -
 shown for illustration purposes only

ITEM NO.	PART NUMBER	DESCRIPTION	QTY.
1	06492-0-0001	Base, Probe Mount, 1/6/32 Channel Probes	1
2	01945-0-0123	Scr, 2-56 x 1/4" Lg, PHH, Phhd, 18-8SS	1
3	01946-0-0004	Washer, Nylon, 2-56 Self-Retaining	1
4	01946-0-0003	WASHER, M2, 2.2ID x 5 OD, 18-8SS	1
5	01945-0-0127	Scr, FPS, 4-40 x .125", .050" Hex, SST (94355A130)	2
6	06365-0-0001	Shaft, 2.5mm dia. 303SS, 38.2mm Lg	1
7	06493-0-0001	Arm, Headstage Adapter, NN-A32	1
8	01945-0-0092	SCR, RHD, M1.4x3, SLTD, 18-8SS	3
9	06475-0-0000	Shaft, 97mm Length, pointed	1

A3

PART NO: **06264-8-0012**

REV

A

SCALE: 1.5:1

4

3

2

1

SHEET 2 OF 2