

MPM-Probe Mount-2

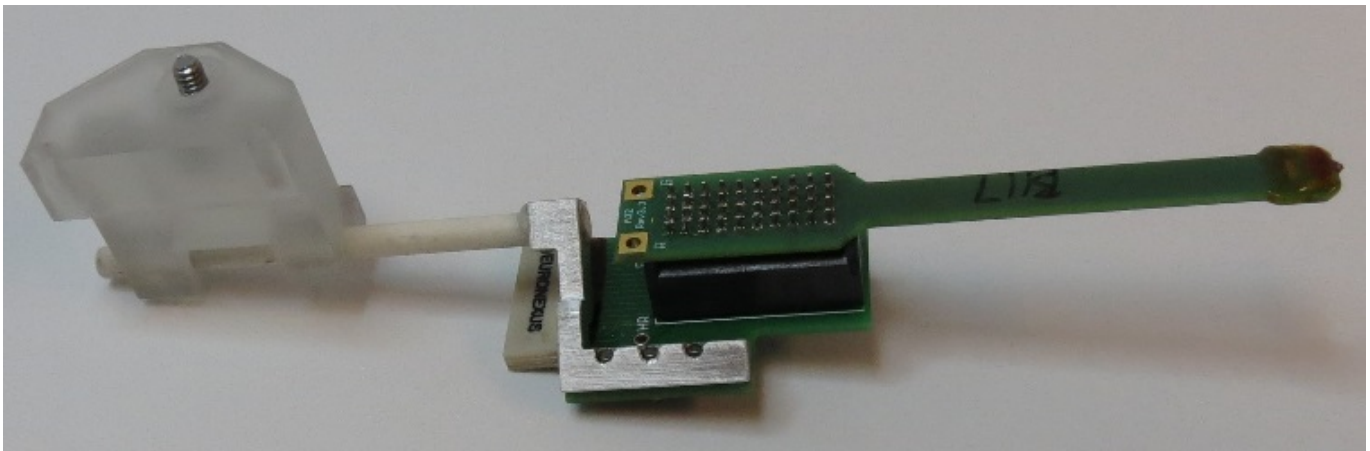
Item # 06264-3-0002

Description: A hardware kit that mounts a NeuroNexus A32-OM32 adapter and A32 probe (not provided) to the Z-axis stage of a New Scale M3-LS-3.4-15-XYZ-Upright and/or M3-LS-3.4-15-XYZ-Inverted, for use with a Multi-Probe Micromanipulator 4 Degree of Freedom Arm (MPM-4 DOF Arm-Upright and/or MPM-4 DOF Arm-Inverted).

MPM-Probe Mount-2

Probe Mount 2

(shown with NeuroNexus A32-OM32 adapter and A32 probe installed, probe and adapter not provided)

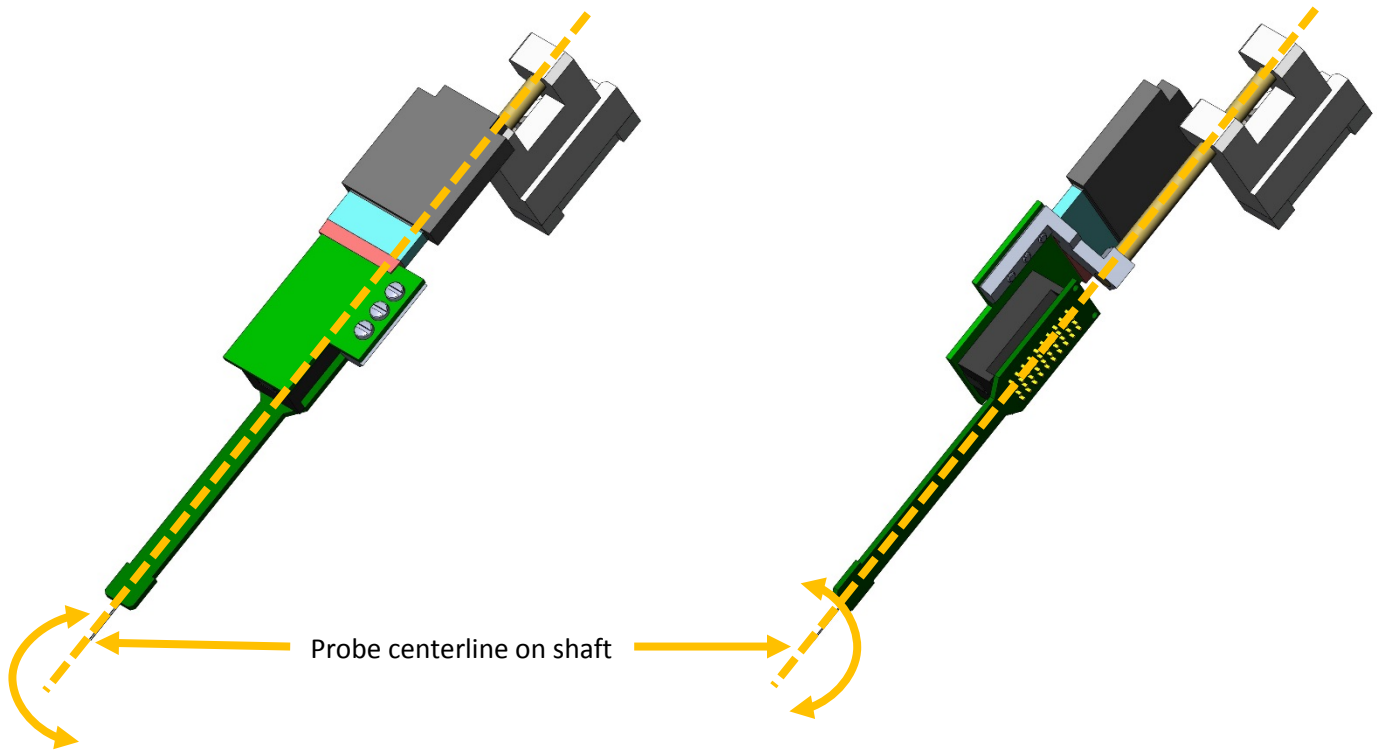


Steel Reference Probe



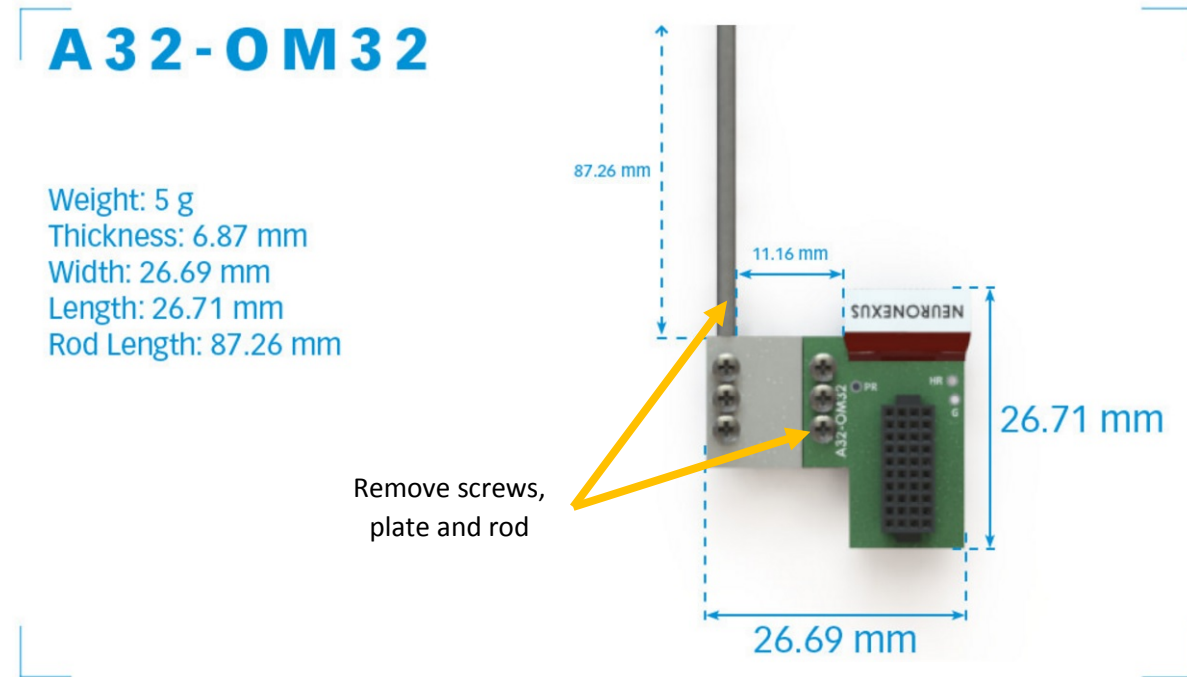
MPM-Probe Mount-2 continued...

The MPM-Probe Mount-2 was designed to keep the probe centerline concentric with the probe mount shaft centerline. This allows the probe to be rotated for more options within the desired workspace.



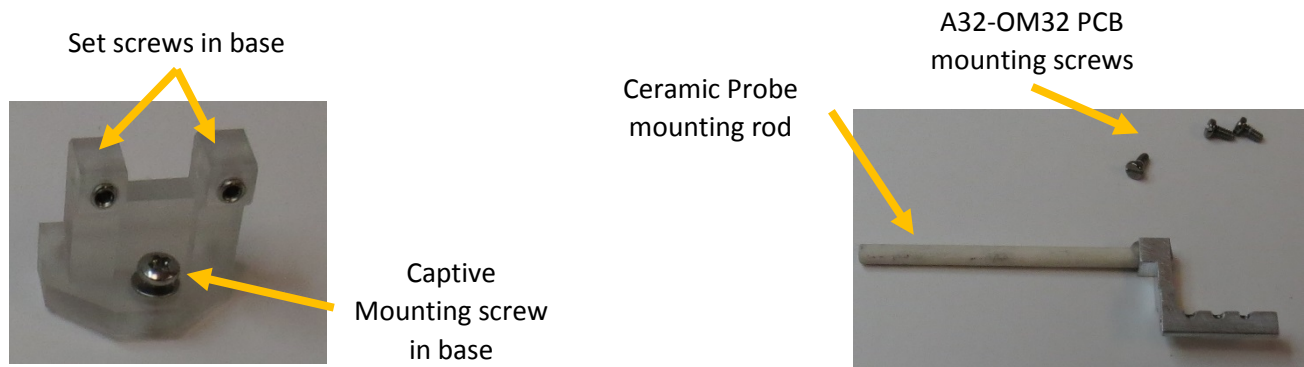
Install a probe onto MPM-Probe Mount-2

Install a NeuroNexus Adpt.A32-Omnetics32 Adaptor (shown below). This adaptor is not included and must be purchased from NeuroNexus.

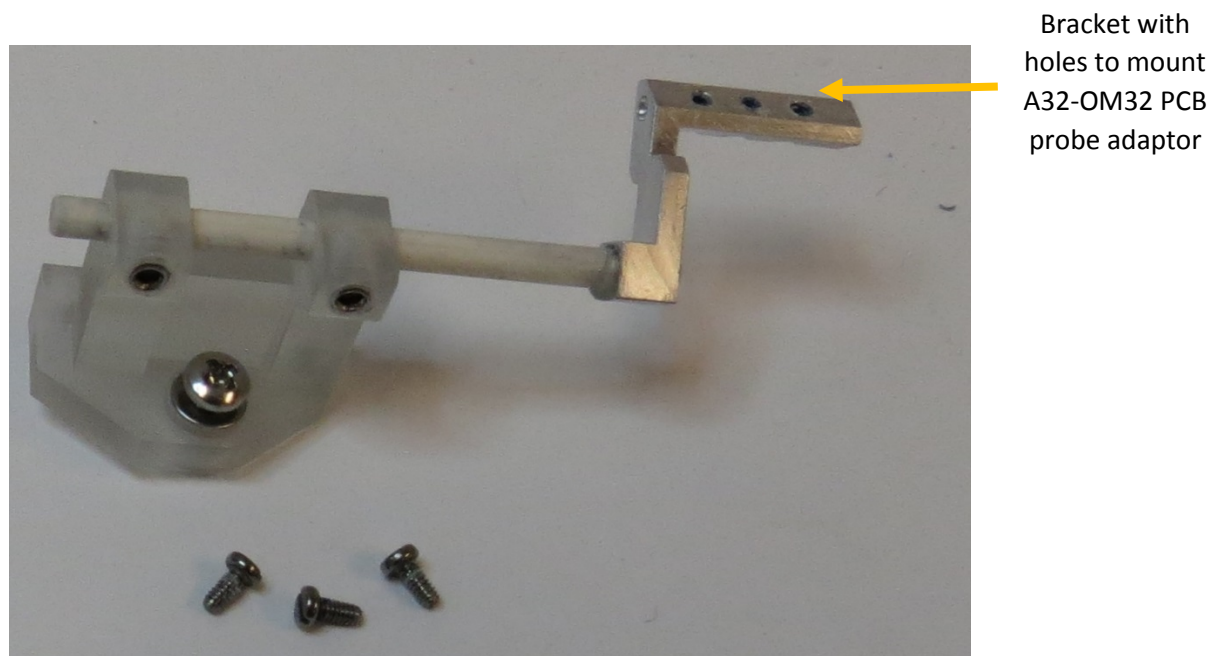


The NeuroNexus A32-OM32 adaptor has extra parts that are not used. Remove the screws, plate and rod.

Install a probe onto MPM-Probe Mount-2 continued...

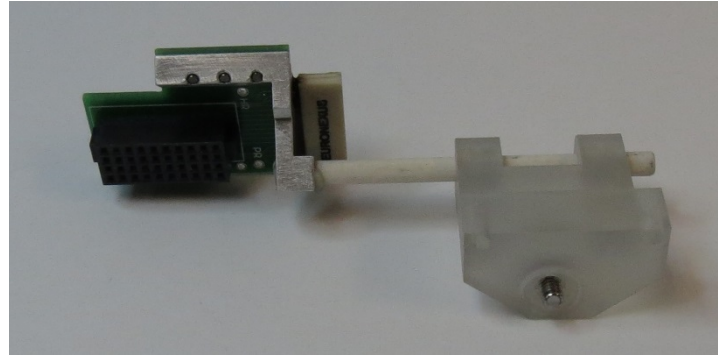
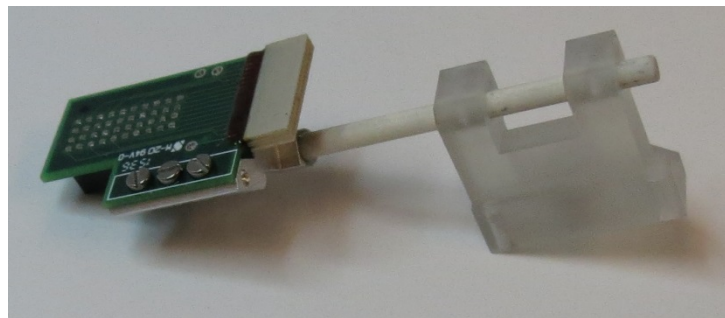
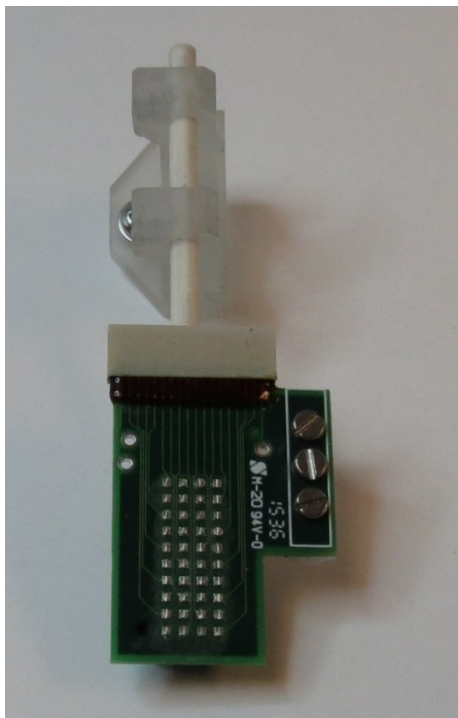


Place the ceramic probe mounting rod into the probe mount base in the orientation shown, and use the supplied hex wrench to tighten the set screws.



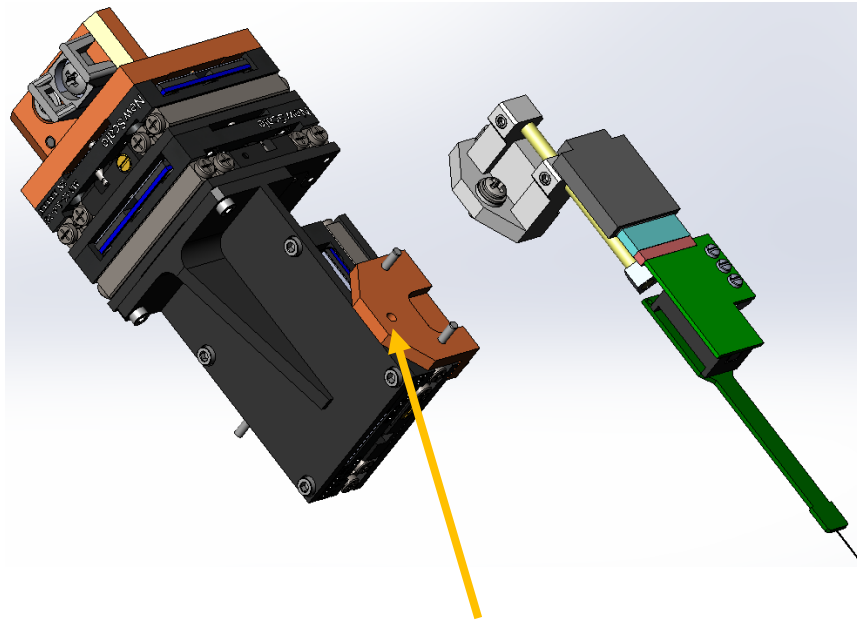
Install a probe onto MPM-Probe Mount-2 continued...

Assemble A32-OM32 PCB to aluminum mounting bracket using the three provide screws and screw driver as shown.

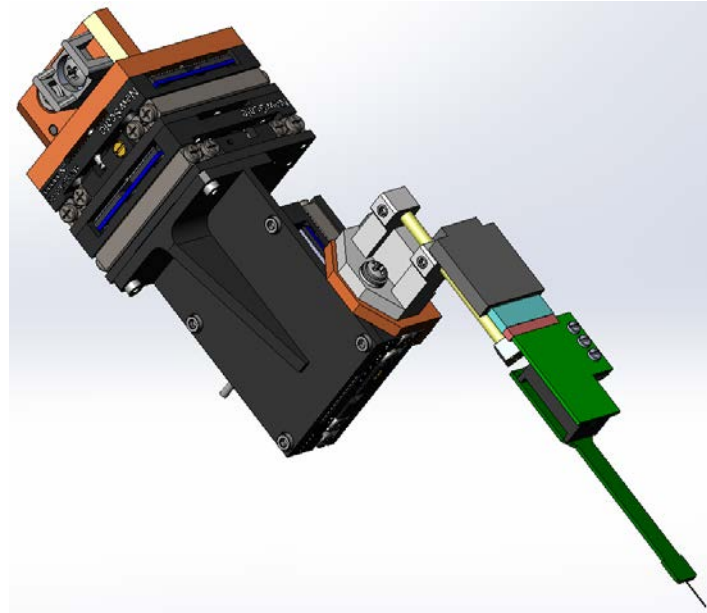


Install MPM-Probe Mount-2 onto Mount Plate

Use the included screw and screwdriver to mount the MPM-Probe Mount-2 to the Mount Plate installed on the Z-axis stage.



Hole to mount Probe Mount onto Mount Plate



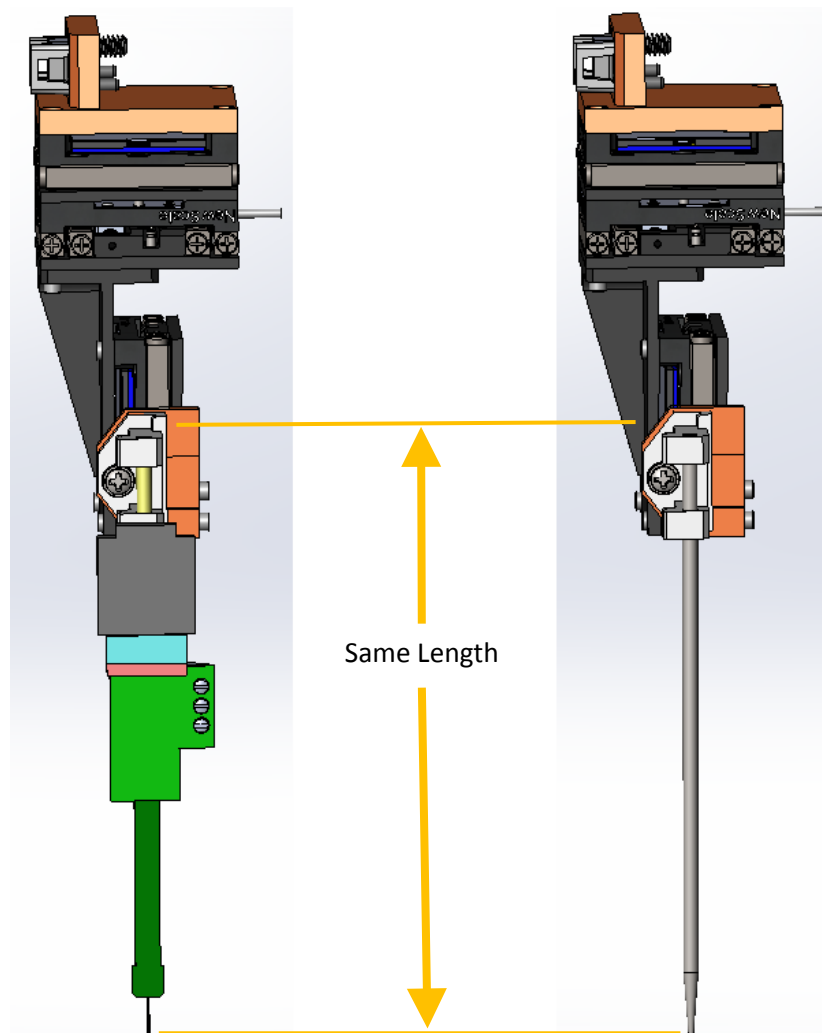
Using the Reference Probe to Pre-Align the MPM-4 DOF Arm

A steel reference probe is provided to allow pre-alignment of the MPM-4 DOF Arm without risking damage to the probe. To make the best use of the steel reference probe, the distance from the base to the tip of the probe should be known and constant. The steel reference probe is used as follows:

1. Remove the ceramic rod from the base and replace it with the steel reference probe as shown.
2. Adjust the steel reference probe to the same length as the probe as shown.
3. With the Arm in the down position, complete pre-alignment of the MPM-4 DOF Arm's vertical, horizontal and insertion angle adjustments to place the steel reference probe tip at the correct insertion angle and starting location.

NOTE: Refer to the MPM System Manual for more information about setting up and adjusting the MPM-4 DOF Arm.

4. Move the Arm to the up position and replace the steel reference probe with the NeuroNexus probe.
5. Move the Arm to the down position and operate XYZ manipulator to place probe and begin recording.



For questions and support, please contact:

New Scale Technologies
121 Victor Heights Parkway
Victor, NY 14565

Phone: 585-924-4450

Online: www.newscaletech.com

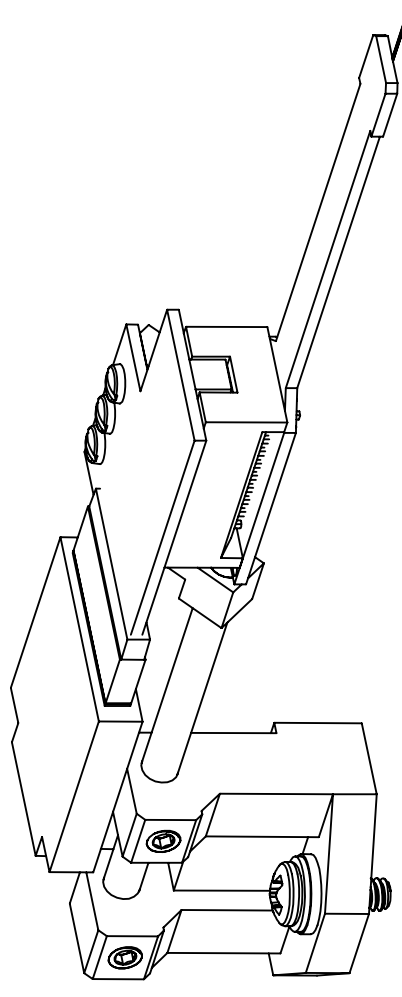
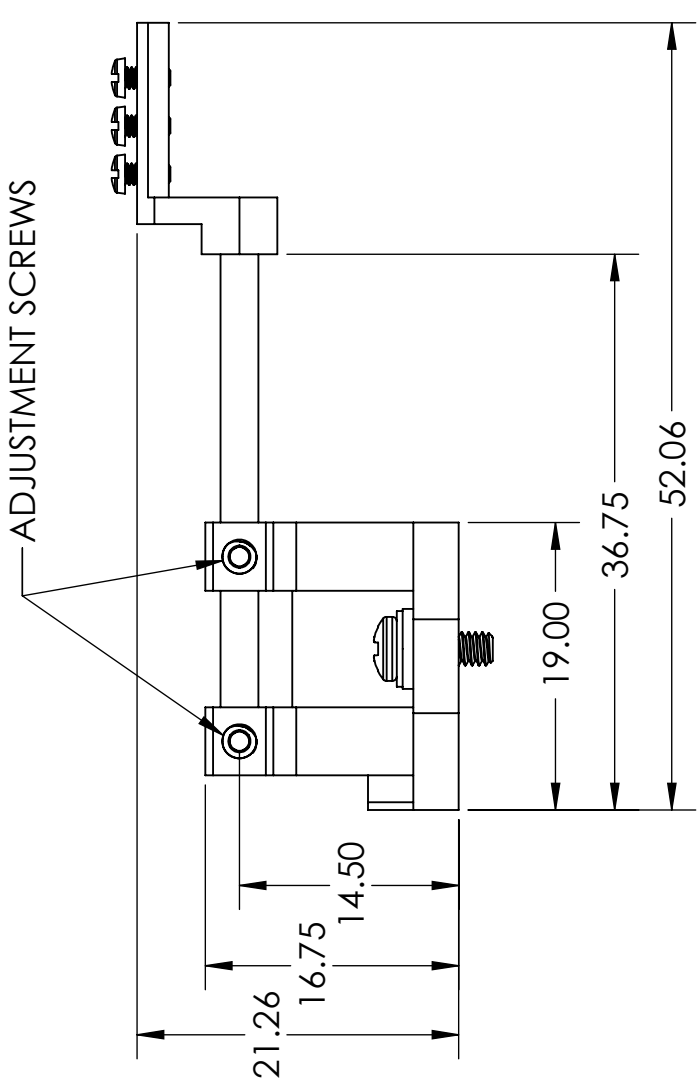
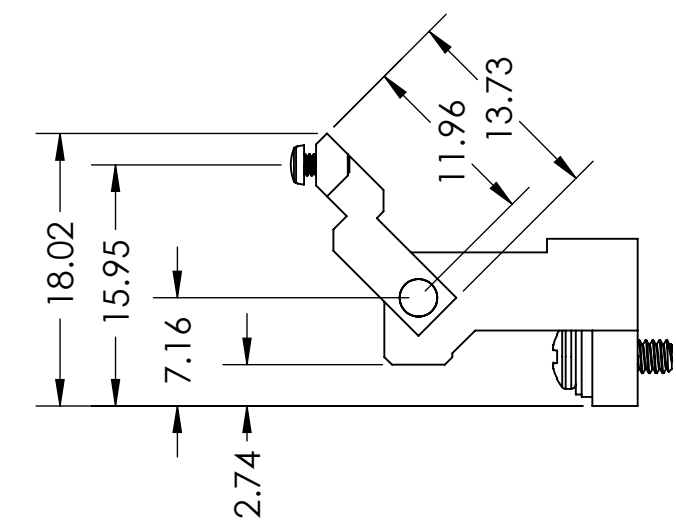
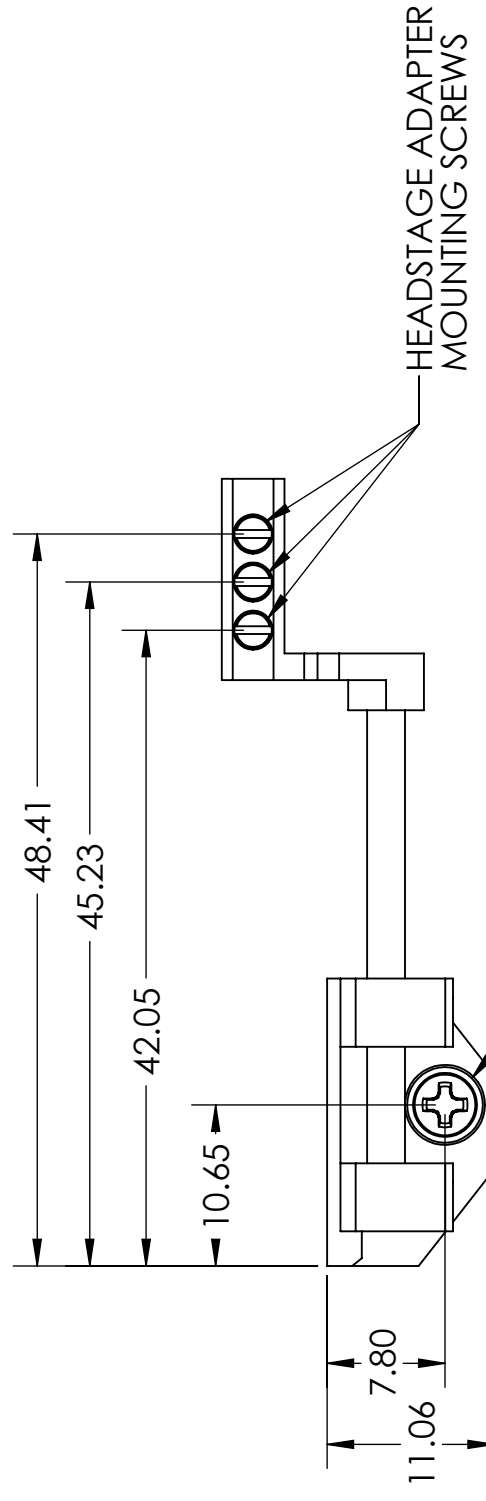
Revision History

Revision	Description of changes	Release Date
A	Initial Release	August 7, 2019

REVISIONS				
REV.	DESCRIPTION	DATE	APPR'D	Change #
1	Initial Design			N/A
2	Remove Headstage & Adapter	6/5/2017	JHH	
3	ADD EXPLODED VIEW	11/6/2017	JHH	
3+	Del. Mount Plate (06449-0-0000)	1/19/2018	JHH	-

Probe Adapter Specifications

NST Item #	06264-3-0002
Probe Mount Insertion/Removal	Single Mounting Point
Probe Tip Location	0.5 mm Min. 0.5 mm Max.
Orientation	Upright / Inverted
Weight (Probe Holder Only)	<= 7 grams
Total Weight with User Probe and Cabling	MAX 20 grams
Probe Rod Centered on Probe Tip	± 0.25 mm
Alignment Post Position	± 0.25 mm
Alignment Post Length	± 0.5 mm



NOTE: PROBE MOUNT IS DESIGNED FOR NEURONEXUS A32 ADAPTER AND 32 CHANNEL PROBE WITH PLEXON HEADSTAGE IN THE ORIENTATION SHOWN. CONTACT NEW SCALE IF DIFFERENT ADAPTERS/PROBES ARE REQUIRED.

DRAWN: JHH	DATE: 5/19/2017
CHECKED: EW	ENG: AS
MFG: JA/BD	MARKETING: DH
PRODUCT: MPM	DESCRIPTION: MPM Probe Mount 2
A3	PART NO: 06264-8-0002
SCALE: 2:1	SHEET 1 OF 1

THIRD ANGLE PROJECTION	UNLESS OTHERWISE SPECIFIED DIMENSIONS ARE IN MILLIMETERS TOLERANCES ARE: 1 PLACE ±.3 2 PLACES ±.13 3 PLACES ±.060 ANGULAR ± 1° SURFACE FINISH 1.6 MICROMETERS
MATERIAL:	PART MUST BE BURR FREE
FINISH:	DO NOT SCALE DRAWING

THIS DOCUMENT CONTAINS THE PRODUCT SPECIFICATION FOR NST ITEM NUMBER 06264-3-0002

Compliant to RoHS Directive 2002/95/EC
THESE DRAWINGS AND SPECIFICATIONS ARE THE EXCLUSIVE PROPERTY OF NEW SCALE TECHNOLOGIES, INC. AND SHALL NOT BE USED FOR ANY PURPOSE EXCEPT THE MANUFACTURE OF GOODS FOR SAID COMPANY.



REV 3+