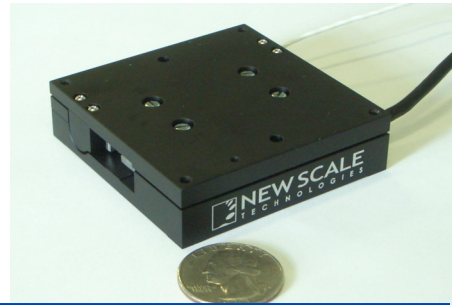




SQ-2115 Closed-Loop Nanopositioning Stage with integral motor and optical encoder



FEATURES

- High axial force (5 N)
- Minimal heating
- Low profile (17 mm)
- 20 nanometer resolution

APPLICATIONS

- Optical microscopy
- Adaptive optics
- Bio-imaging
- Laser alignment
- Waveguide alignment and assembly
- Wafer inspection and nanolithography

Closed-loop SQUIGGLE motor stages and multi-axis systems provide unmatched precision in an extremely compact design. They support vertical loads up to 0.5 kilograms with high stiffness and negligible heating. They are ideal where space is at a premium, such as microscope stages.

The SQ-2115 stage integrates a patented piezoelectric SQUIGGLE motor with crossed roller bearings and glass scale encoder. This tiny linear stage delivers automated, "set and hold" nanopositioning for research and industrial instruments. The stages are easily assembled to create X-Y and X-Y-Z systems.

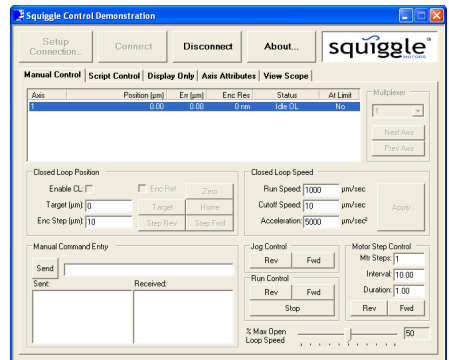
Drive Electronics

We offer both benchtop controllers for laboratory use, and credit-card sized PCB drive cards for easy closed-loop integration into OEM systems and instruments. Controllers accept analog input, an optional manual handset, or computer interface. We provide New Scale Pathways™ software, along with an ActiveX control that you can integrate into your own applications written in languages such as C++ or Visual Basic.



Three SQ-2115 stages in an x-y-z assembly for "hands-free" three-axis alignment

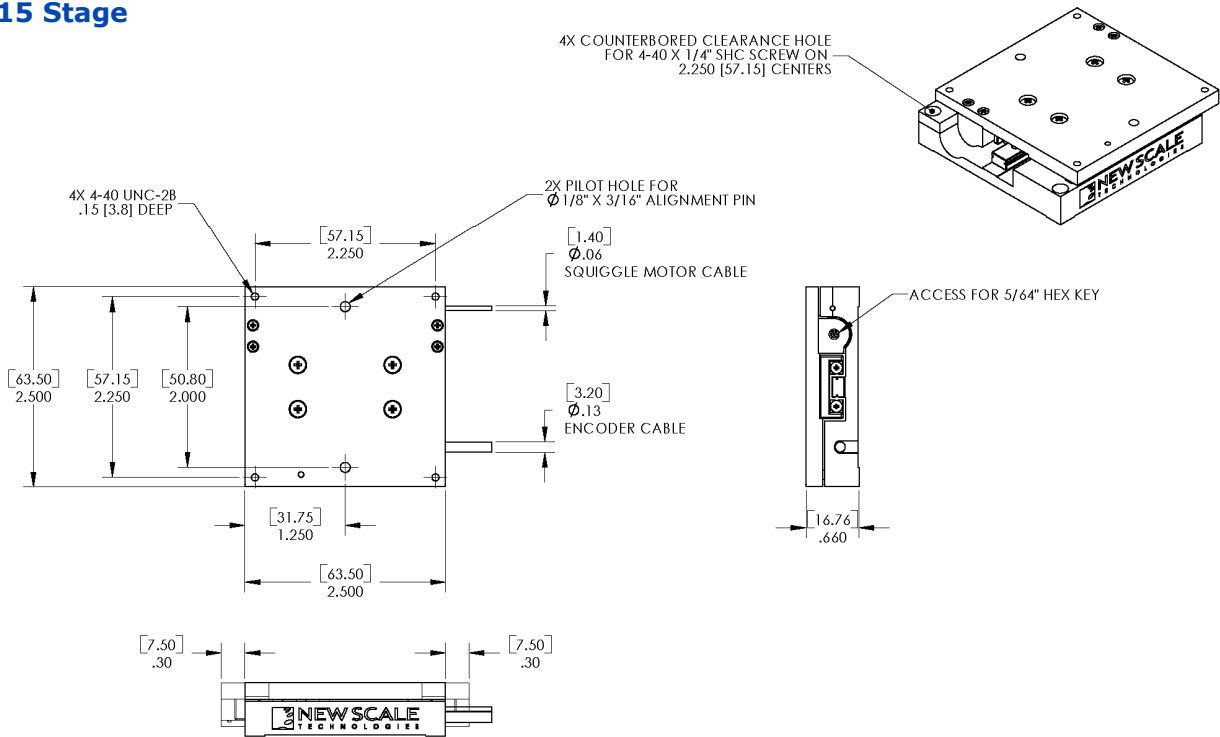
SQ-2115 Closed-Loop Stage	
Maximum Travel	15 mm
Maximum Speed	2 mm/second
Minimum Resolution	20 nm
Axial Load	5 N
Encoder Type	Glass scale
Stage Bearing Load	5 kg
Bearing Type	Crossed roller
Material	Anodized Aluminum
Dimensions	2.50 x 2.50 x 0.66 inches (63.5 x 63.5 x 17 mm)
Mounting Holes	2.25 x 2.25 inches, #4-40
Cables	Two (encoder and motor)



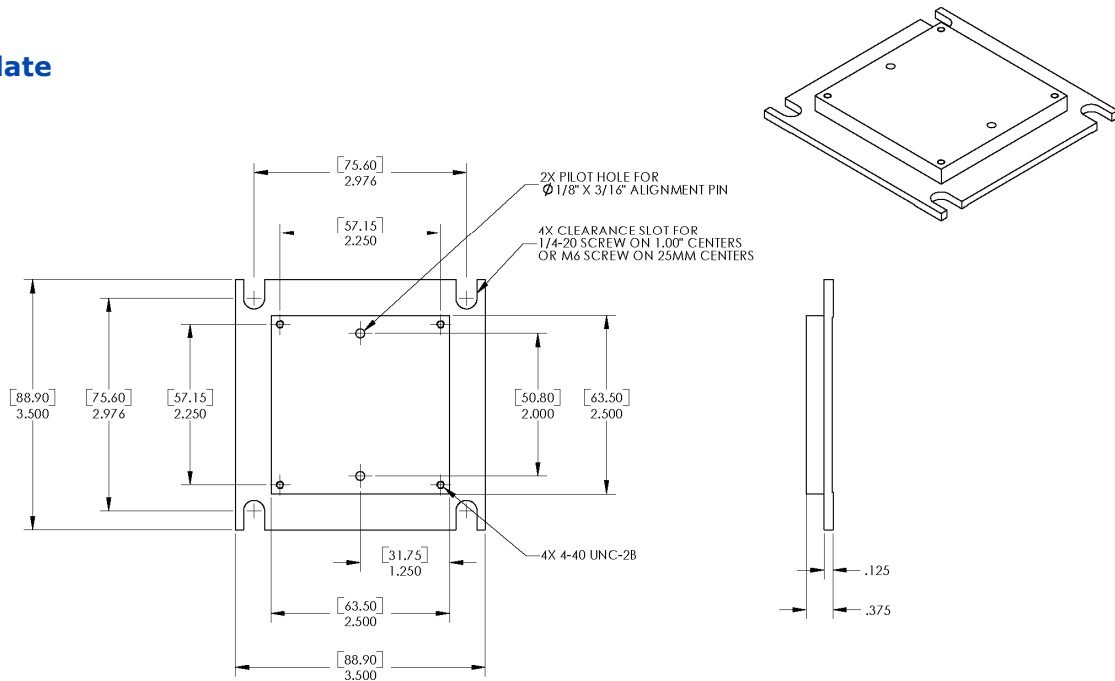
Computer control employs an ActiveX command library called from the New Scale application or your own scripts.

Ultra-Thin Closed-Loop Nanopositioning Stage

SQ-2115 Stage



01259 Base Plate



Ordering Information	
SQ-2115	Standard stage with motor and encoder
01259	Base plate / mounting adapter (optional)
01260	Right angle bracket (optional)
SQ-2300	Benchtop controller – see SQ-2300 series data sheet